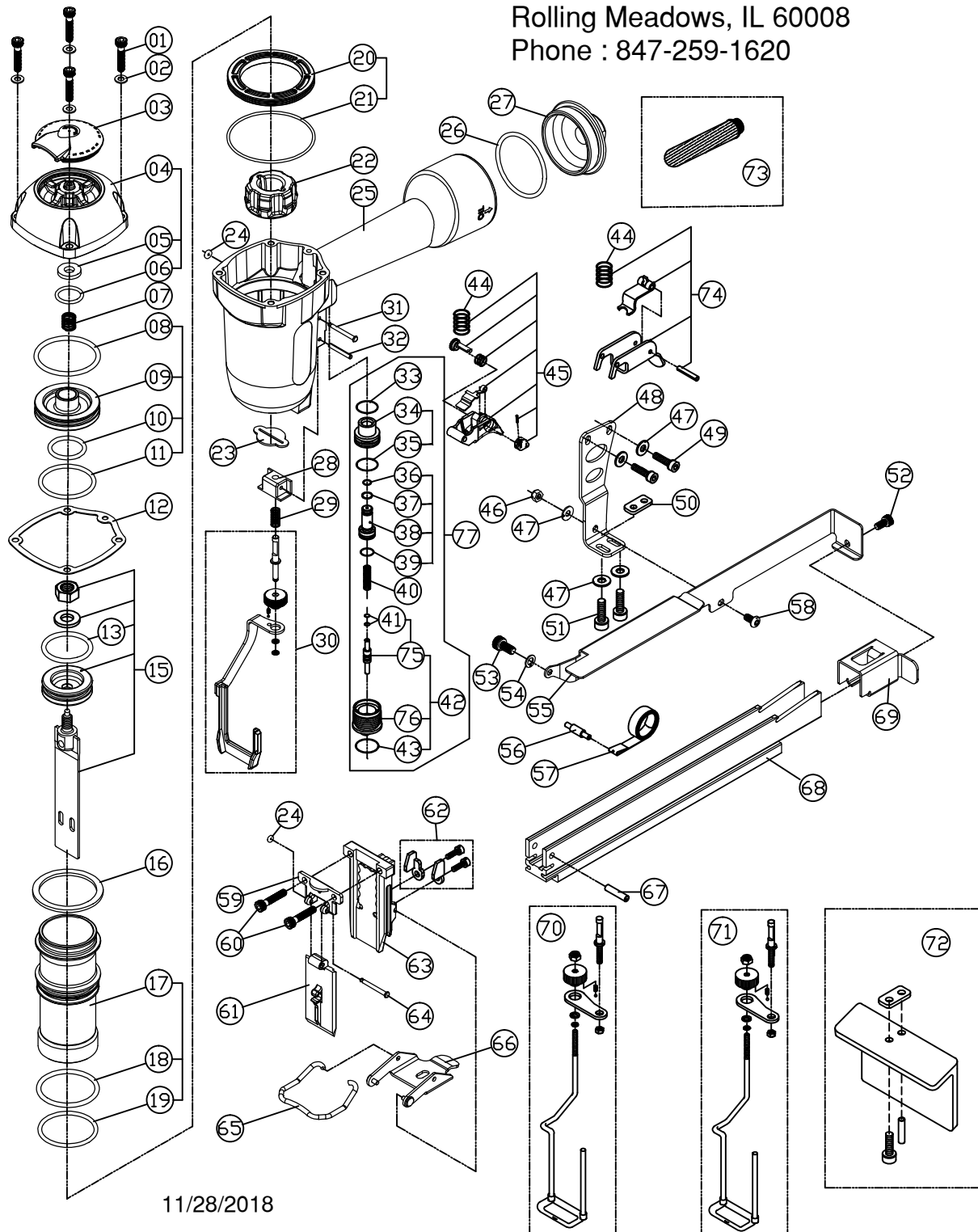


MODEL X1S2640

SPOTNAILS[®]

DIVISION OF PEACE INDUSTRIES, LTD.

1100 Hicks Rd
 Rolling Meadows, IL 60008
 Phone : 847-259-1620



SPOTNAILS MODEL X1S2640

Ref No.	Part No.	Description	Ref No.	Part No.	Description	
01	P-24300	Cap Screw-4	40	P-18227	Spring	
02	P-32211	Flat Washer-4	♦	41	P-64383	Plunger O-Rings-2
03	P-70058	Exhaust Deflector	42	AS-22037	Plunger Assembly	
04	P-60221	Cap	♦	43	P-64328	O-Ring
♦	05	P-15187	Exhaust Seal	44	P-18267	Spring
♦	06	P-64378	O-Ring	45	AS-21031	Selectable Trigger (Blue)
07	P-18327	Poppet Spring	46	P-26126	Nut	
♦	08	P-64601	Poppet O-Ring	47	P-32170	Washer-5
09	P-63055	Poppet	48	P-13128	Bracket	
♦	10	P-64379	Piston Stop o-Ring	49	P-24301	Screw-2
♦	11	P-64602	Cylinder Seal O-Ring	50	P-26159	Nut Plate
♦	12	P-62094	Gasket	51	P-24308	Screw-2
♦	13	P-64617	Piston O-Ring	52	P-24430	Screw
15	AS-06114	Piston & Driver Assembly	53	P-24317	Screw	
16	P-03125	Guide Spacer	54	P-32229	Washer	
17	P-05131	Cylinder	55	P-12417	Magazine Cover	
♦	18	P-64603	Cylinder O-Ring	56	P-07337	Negator Spring Pin
♦	19	P-64604	O-Ring	57	P-18334	Negator Spring
20	P-03126	Cylinder Guide	58	P-24434	Screw	
♦	21	P-64605	O-Ring	59	P-10285	Stationary Front Plate
22	P-15278	Bumper	60	P-24358	Screw-2	
23	P-15202	Return Seal	61	P-10288	Removable Front Plate	
♦	24	P-64240	O-Ring-2	62	AS-99088	Wear Plate Filler
25	P-01308	Body	63	P-08519	Wear Plate	
26	P-64312	O-Ring	64	P-07357	Pin	
27	P-60156	End Cap	65	P-18333	Latch Spring	
28	P-53165	Safety Guide	66	P-04062	Quick Clear Latch	
29	P-18328	Spring	67	P-07338	Pin	
30	AS-53087	Safety Assembly	68	P-12415	Magazine	
31	P-07327	Trigger Pin	69	P-09212	Pusher	
32	P-07262	Pin	70	AS-53085	Lathing Safety (Available)	
♦	33	P-64332	Valve Housing O-Ring	71	AS-53086	Roofing Safety (Available)
34	P-22144	Trigger Valve Cap	72	AS-97296	Shingle Guide Assy. (Available)	
♦	35	P-64333	O-Ring	73	P-97454	Filter (Available)
♦	36	P-64334	O-Ring	74	AS-21037	Restrictive Trigger (Red)(Available)
♦	37	P-64335	O-Ring	75	AS-22041	Plunger Assembly
38	P-22145	Pilot Valve	76	P-22233	Valve Housing	
♦	39	P-64336	O-Ring	77	AS-22043	Trigger Valve Assy.
		♦	Parts Included In AS- 97403 O-Ring And Seal Kit			