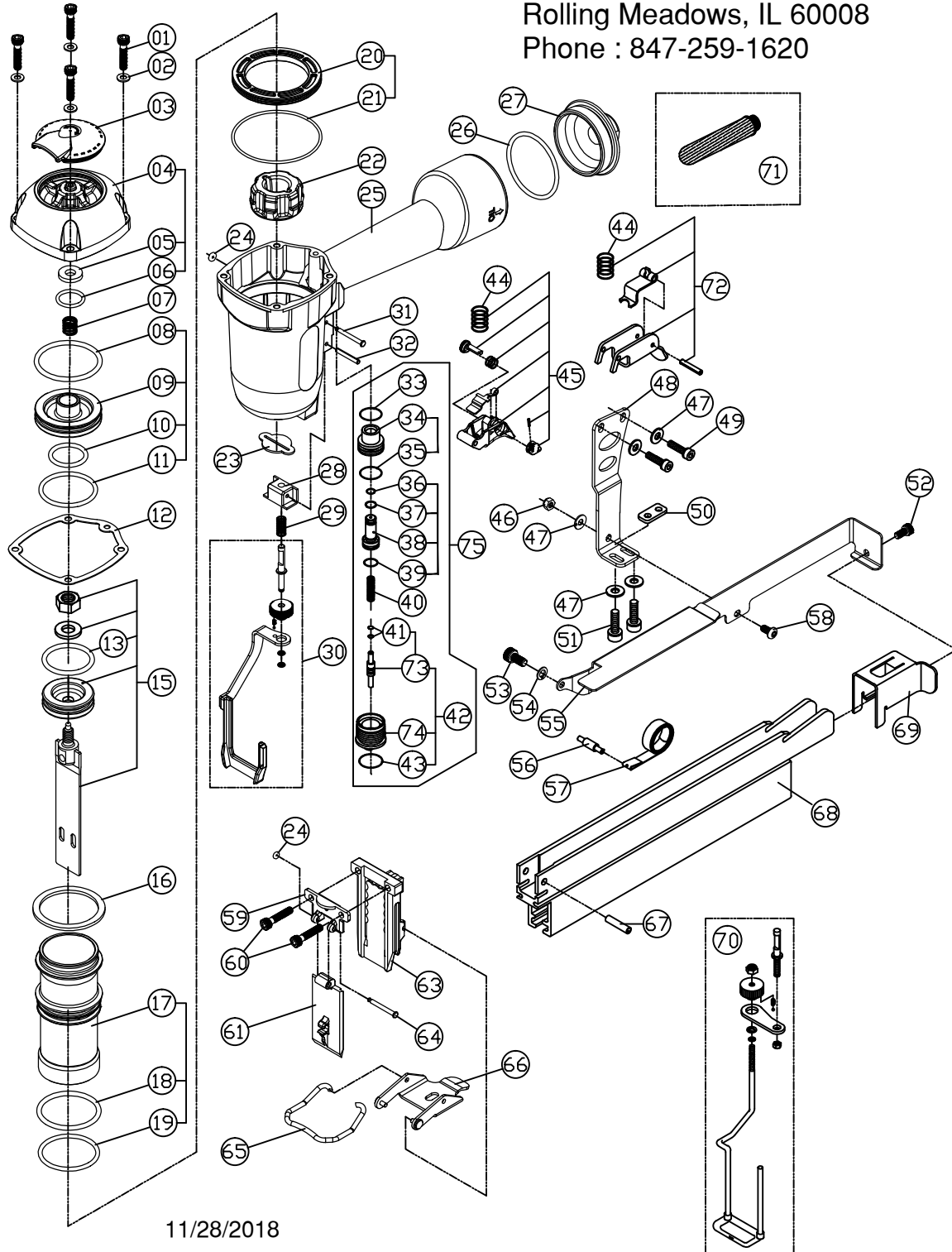


MODEL X1S1650

SPOTNAILS®

DIVISION OF PEACE INDUSTRIES, LTD.

1100 Hicks Rd
Rolling Meadows, IL 60008
Phone : 847-259-1620



11/28/2018

SPOTNAILS MODEL X1S1650

Ref No.	Part No.	Description	Ref No.	Part No.	Description
01	P-24300	Cap Screw-4	◆	39	P-64336 O-Ring
02	P-32211	Flat Washer-4	40	P-18227	Spring
03	P-70058	Exhaust Deflector	◆	41	P-64383 Plunger O-Rings-2
04	P-60221	Cap	42	AS-22037	Plunger Assembly
◆	05	P-15187 Exhaust Seal	◆	43	P-64328 O-Ring
◆	06	P-64378 O-Ring	44	P-18267	Spring
07	P-18327	Poppet Spring	45	AS-21031	Selectable Trigger (Blue)
◆	08	P-64601 Poppet O-Ring	46	P-26126	Nut
09	P-63055	Poppet	47	P-32170	Washer-5
◆	10	P-64379 Piston Stop o-Ring	48	P-13133	Bracket
◆	11	P-64602 Cylinder Seal O-Ring	49	P-24301	Screw-2
◆	12	P-62094 Gasket	50	P-26159	Nut Plate
◆	13	P-64617 Piston O-Ring	51	P-24308	Screw-2
15	AS-06110	Piston & Driver Assembly	52	P-24430	Screw
16	P-03125	Guide Spacer	53	P-24317	Screw
17	P-05131	Cylinder	54	P-32229	Washer
◆	18	P-64603 Cylinder O-Ring	55	P-12417	Magazine Cover
◆	19	P-64604 O-Ring	56	P-07335	Negator Spring Pin
20	P-03126	Cylinder Guide	57	P-18334	Negator Spring
◆	21	P-64605 O-Ring	58	P-24434	Screw
22	P-15278	Bumper	59	P-10285	Stationary Front Plate
23	P-15198	Return Seal	60	P-24358	Screw-2
◆	24	P-64240 O-Ring-2	61	P-10349	Removable Front Plate
25	P-01308	Body	63	P-08518	Wear Plate
26	P-64312	O-Ring	64	P-07357	Pin
27	P-60156	End Cap	65	P-18333	Latch Spring
28	P-53165	Safety Guide	66	P-04062	Quick Clear Latch
29	P-18328	Spring	67	P-07334	Pin
30	AS-53087	Safety Assembly	68	P-12414	Magazine
31	P-07327	Trigger Pin	69	P-09186	Pusher
32	P-07262	Pin	70	AS-53085	Lathing Safety (Available)
◆	33	P-64332 Valve Housing O-Ring	71	P-97454	Filter (Available)
34	P-22144	Trigger Valve Cap	72	AS-21037	Restrictive Trigger (Red)(Available)
◆	35	P-64333 O-Ring	73	AS-22041	Plunger Assembly
◆	36	P-64334 O-Ring	74	P-22233	Valve Housing
◆	37	P-64335 O-Ring	75	AS-22043	Trigger Valve Assy.
38	P-22145	Pilot Valve			

◆ Parts Included In AS- 97403 O-Ring And Seal Kit