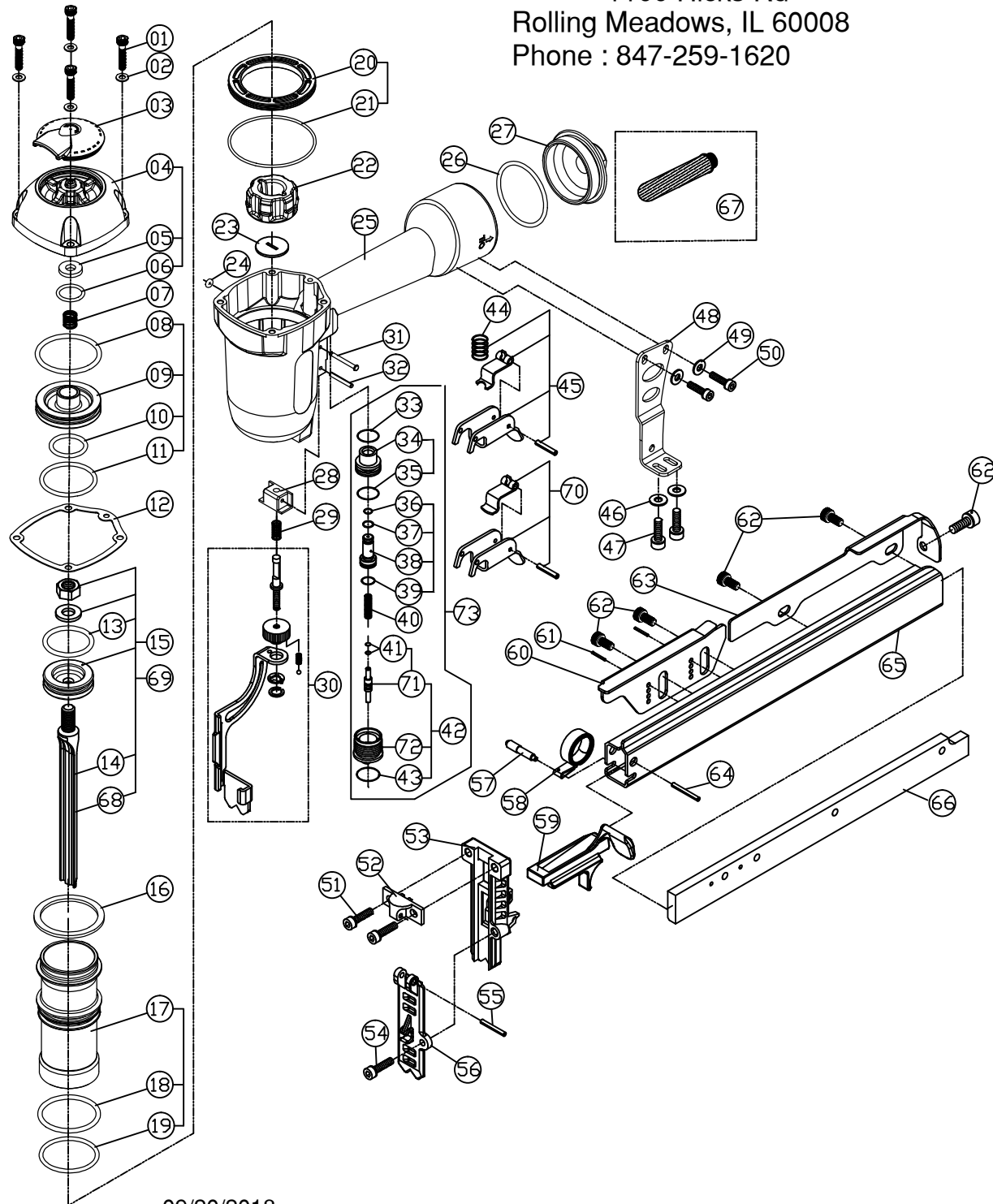


MODEL X1C1008

SPOTNAILS[®]
 DIVISION OF PEACE INDUSTRIES, LTD.
 1100 Hicks Rd
 Rolling Meadows, IL 60008
 Phone : 847-259-1620



09/20/2018

SPOTNAILS MODEL X1C1008

| Ref No. | Part No. | Description | Ref No. | Part No. | Description | | |
|---------|----------|--------------------------------|----------------------|----------|--------------------------------|------------------------------------|--------|
| 01 | P-24300 | Cap Screw-4 | 38 | P-22145 | Pilot Valve | | |
| 02 | P-32211 | Flat Washer-4 | ♦ | P-64336 | O-Ring | | |
| 03 | P-70058 | Exhaust Deflector | 40 | P-18227 | Spring | | |
| 04 | P-60221 | Cap | ♦ | P-64383 | Plunger O-Rings-2 | | |
| ♦ | 05 | P-15187 | Exhaust Seal | 42 | AS-22037 | Plunger Assembly | |
| ♦ | 06 | P-64378 | O-Ring | ♦ | 43 | P-64328 | O-Ring |
| 07 | P-18327 | Poppet Spring | 44 | P-18267 | Spring | | |
| ♦ | 08 | P-64601 | Poppet O-Ring | 45 | AS-21033 | Restrictive Trigger Assembly (Red) | |
| 09 | P-63055 | Poppet | 46 | P-32171 | Washer | | |
| ♦ | 10 | P-64379 | Piston Stop o-Ring | 47 | P-24511 | Screw | |
| ♦ | 11 | P-64602 | Cylinder Seal O-Ring | 48 | P-13128 | Bracket | |
| ♦ | 12 | P-62094 | Gasket | 49 | P-32170 | Washer | |
| ♦ | 13 | P-64617 | Piston O-Ring | 50 | P-24312 | Screw | |
| 14 | P-06261 | Driver Blade 119mm | 51 | P-24358 | Screw | | |
| 15 | AS-06117 | Piston & Driver Assembly 119mm | 52 | P-10276 | Stationary Front Plate | | |
| 16 | P-03125 | Guide Spacer | 53 | P-08498 | Wear Plate | | |
| 17 | P-05131 | Cylinder | 54 | P-24430 | Screw | | |
| ♦ | 18 | P-64603 | Cylinder O-Ring | 55 | P-07239 | Spring Pin | |
| ♦ | 19 | P-64604 | O-Ring | 56 | P-10315 | Removable Front Plate | |
| 20 | P-03126 | Cylinder Guide | 57 | P-07389 | Negator Spring Pin | | |
| ♦ | 21 | P-64605 | O-Ring | 58 | P-18489 | Negator Spring | |
| 22 | P-15273 | Bumper | 59 | P-09218 | Pusher | | |
| 23 | P-15235 | Return Seal | 60 | P-12492 | Magazine Cover(A) | | |
| ♦ | 24 | P-64240 | O-Ring | 61 | P-07388 | Spring Pin | |
| 25 | P-01315 | Body | 62 | P-24317 | Screw | | |
| 26 | P-64312 | O-Ring | 63 | P-12493 | Magazine Cover(B) | | |
| 27 | P-60156 | End Cap | 64 | P-07338 | Spring Pin | | |
| 28 | P-53165 | Safety Guide | 65 | P-12494 | Magazine | | |
| 29 | P-18328 | Spring | 66 | P-12495 | Cover Mounting Bar | | |
| 30 | AS-53089 | Safety Assembly | 67 | P-97454 | Filter (Available) | | |
| 31 | P-07327 | Trigger Pin | 68 | P-06262 | Driver Blade 116mm | | |
| 32 | P-07262 | Pin | 69 | AS-06118 | Piston & Driver Assembly 116mm | | |
| ♦ | 33 | P-64332 | Valve Housing O-Ring | 70 | AS-21036 | Bump Fire Trigger (Black) | |
| 34 | P-22144 | Trigger Valve Cap | 71 | AS-22041 | Plunger Assembly | | |
| ♦ | 35 | P-64333 | O-Ring | 72 | P-22233 | Valve Housing | |
| ♦ | 36 | P-64334 | O-Ring | 73 | AS-22043 | Trigger Valve Assy. | |
| ♦ | 37 | P-64335 | O-Ring | | | | |

♦ Parts Included In AS-97403 O-Ring And Seal Kit