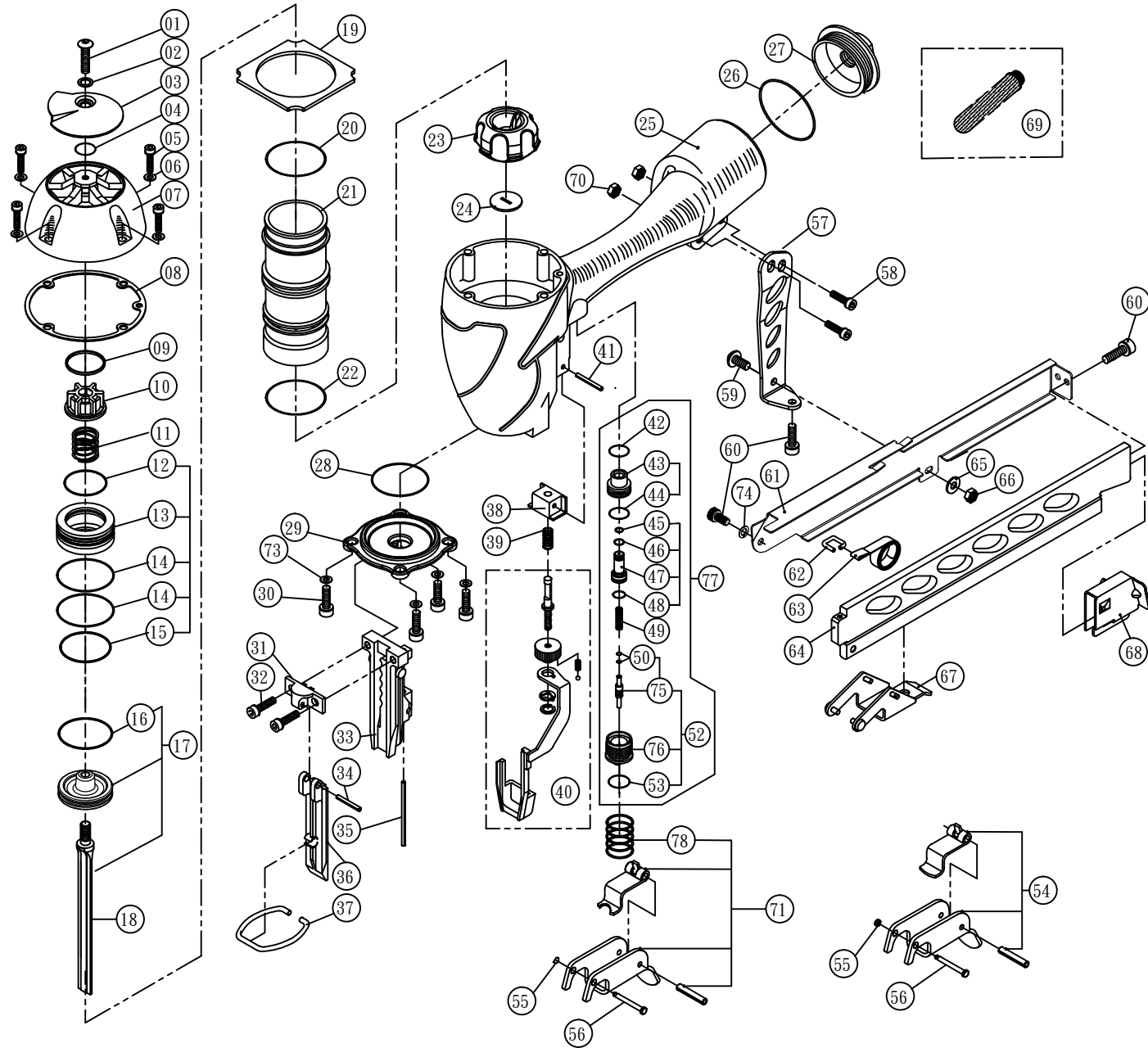


MODEL MS76/8650i-A

SPOTNAILS[®]

DIVISION OF PEACE INDUSTRIES, LTD.

1100 Hicks Rd
 Rolling Meadows, IL 60008
 Phone : 847-259-1620



4/8/2019

SPOTNAILS MODEL MS76/8650i-A

| Ref No. | Part No. | Description | Ref No. | Part No. | Description |
|---------|----------|--------------------------|---------|----------|------------------------------------|
| 01 | P-24370 | Screw | 39 | P-18328 | Spring |
| 02 | P-96118 | Bushing | 40 | AS-53058 | Safety Assembly |
| 03 | P-70047 | Exhaust Deflector | 41 | P-07262 | Pin |
| 04 | P-64377 | O-Ring | 42 | P-64332 | Valve Housing O-Ring |
| 05 | P-24314 | Cap Screw | 43 | P-22144 | Trigger Valve Cap |
| 06 | P-32169 | Flat Washer | 44 | P-64333 | O-Ring |
| 07 | P-60181 | Cap | 45 | P-64334 | O-Ring |
| ◆ 08 | P-62080 | Gasket | ◆ 46 | P-64335 | O-Ring |
| 09 | P-03076 | Spacer | 47 | P-22145 | Pilot Valve |
| 10 | P-15204 | Exhaust Seal | ◆ 48 | P-64336 | O-Ring |
| 11 | P-18442 | Poppet Spring | 49 | P-18227 | Spring |
| ◆ 12 | P-64399 | Poppet O-Ring | ◆ 50 | P-64383 | Plunger O-Rings |
| 13 | P-63043 | Poppet | 52 | AS-22037 | Plunger Assembly |
| ◆ 14 | P-64426 | Poppet O-Ring | ◆ 53 | P-64328 | O-Ring |
| ◆ 15 | P-64312 | Cylinder Seal O-Ring | 54 | AS-21008 | Bump Fire Trigger (Black) |
| ◆ 16 | P-64427 | Piston O-Ring | ◆ 55 | P-64240 | O-Ring |
| 17 | AS-06056 | Piston & Driver Assembly | 56 | P-07327 | Trigger Pin |
| 18 | P-06238 | Driver Blade | 57 | P-13080 | Bracket |
| 19 | P-03082 | Guide Spacer | 58 | P-24383 | Screw |
| ◆ 20 | P-64428 | Cylinder O-Ring | 59 | P-24370 | Screw |
| 21 | P-05108 | Cylinder | 60 | P-24353 | Screw |
| ◆ 22 | P-64429 | O-Ring | 61 | P-12594 | Magazine Cover |
| 23 | P-15215 | Bumper | 62 | P-18131 | Spring Clip |
| 24 | P-15191 | Return Seal | 63 | P-18298 | Negator Spring |
| 25 | P-01302 | Body | 64 | P-12402 | Magazine |
| 26 | P-64312 | O-Ring | 65 | P-32170 | Washer |
| 27 | P-60156 | End Cap | 66 | P-26142 | Nut |
| 28 | P-64430 | O-Ring | 67 | P-04060 | Quick Clear Latch |
| 29 | P-60220 | Bottom Plate | 68 | P-09183 | Pusher |
| 30 | P-24611 | Screw | 69 | P-97454 | Filter (Available) |
| 31 | P-10276 | Stationary Front Plate | 70 | P-26143 | Nut |
| 32 | P-24358 | Screw | 71 | AS-21026 | Restrictive Trigger Assembly (Red) |
| 33 | P-08464 | Wear Plate | 73 | P-32291 | Washer |
| 34 | P-07253 | Spring Pin | 74 | P-32229 | Washer |
| 35 | P-07257 | Safety Yoke Pin | 75 | AS-22041 | Plunger Assembly |
| 36 | P-10277 | Removable Front Plate | 76 | P-22233 | Valve Housing |
| 37 | P-18251 | Latch Spring | 77 | AS-22043 | Trigger Valve Assy. |
| 38 | P-53165 | Safety Guide | 78 | P-18267 | Spring |

◆ Parts Included In AS-97300 O-Ring And Seal Kit