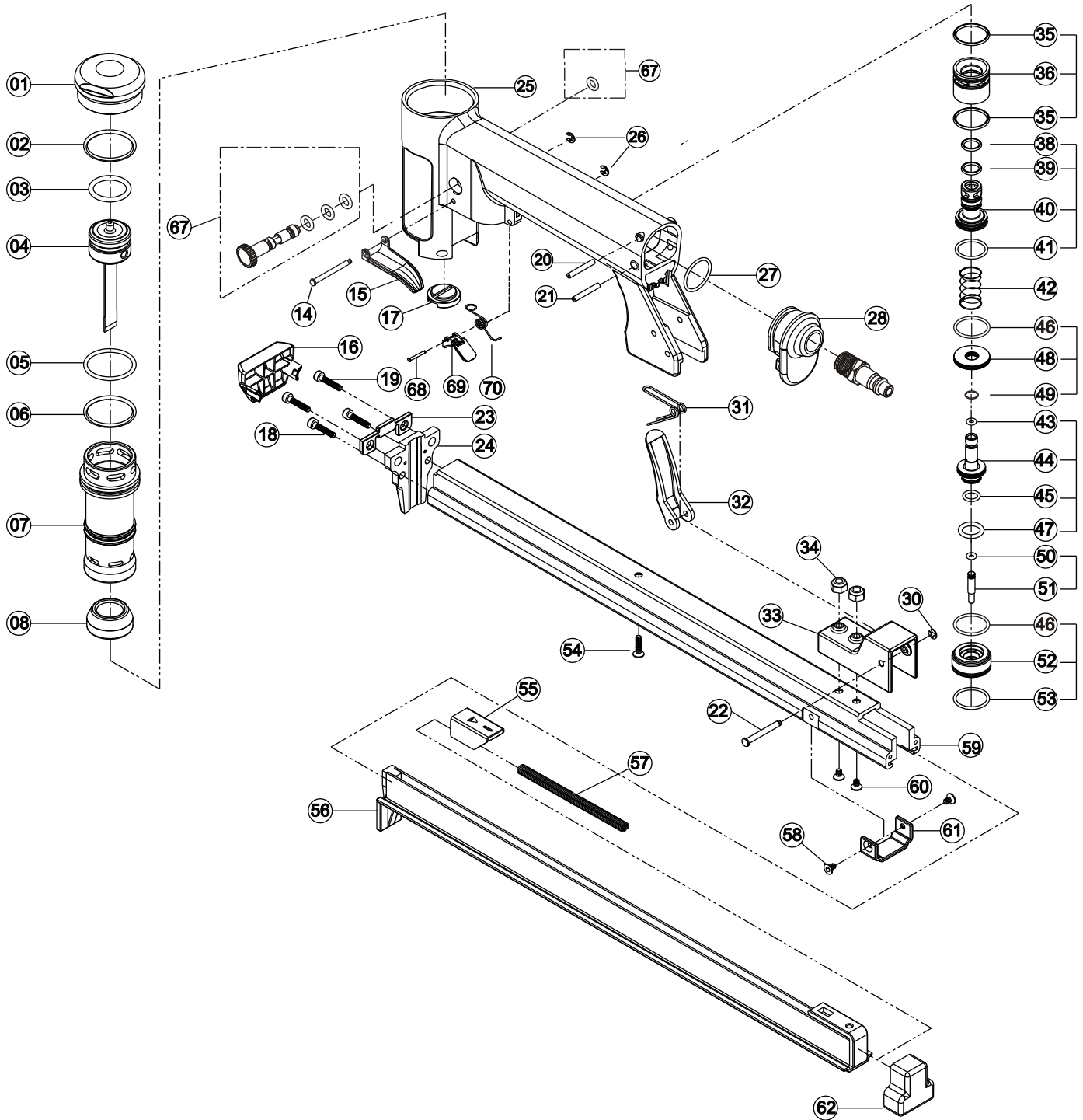


MODEL BS7116AF-B

SPOTNAILS[®]

DIVISION OF PEACE INDUSTRIES, LTD.

1100 Hicks Rd
Rolling Meadows, IL 60008
Phone : 847-259-1620



SPOTNAILS MODEL **BS7116AF-B**

Ref No.	Part No.	Description
01	P-60193	Cap
◆ 02	P-64468	O-Ring
◆ 03	P-64469	O-Ring
◆ 04	AS-06084	Piston & Driver Assembly
◆ 05	P-64470	O-Ring
◆ 06	P-64471	O-Ring
◆ 07	P-05115	Cylinder
◆ 08	P-15236	Bumper
◆ 14	P-07482	Step Pin
◆ 15	P-21089	Trigger
◆ 16	P-12504	Nose Cover
◆ 17	P-15237	Seal
◆ 18	P-24510	Screw
◆ 19	P-24612	Screw
◆ 20	P-07391	Split Pin
◆ 21	P-07392	Split Pin
◆ 22	P-07393	Step Pin
◆ 23	P-10316	Nose Plate
◆ 24	P-10318	Front Plate
◆ 25	P-01296	Body
◆ 26	P-32292	C-Ring
◆ 27	P-64476	O-Ring
◆ 28	P-60194	End Cap
◆ 30	P-32241	E-Ring
◆ 31	P-18490	Magazine Latch Spring
◆ 32	P-04083	Magazine Latch
◆ 33	P-04084	Latch Bracket
◆ 34	P-26175	Nut
◆ 35	P-64477	O-Ring
◆ 36	P-22192	Trigger Valve A
◆ 38	P-64478	O-Ring

Ref No.	Part No.	Description
◆ 39	P-64479	O-Ring
◆ 40	P-22193	Trigger Valve B
◆ 41	P-64480	O-Ring
◆ 42	P-18491	Trigger Valve Spring
◆ 43	P-64481	O-Ring
◆ 44	P-22194	Trigger Valve C
◆ 45	P-64482	O-Ring
◆ 46	P-64500	O-Ring
◆ 47	P-64483	O-Ring
◆ 48	P-22195	Trigger Valve Plate
◆ 49	P-64510	O-Ring
◆ 50	P-64484	O-Ring
◆ 51	P-22196	Trigger Valve Plunger
◆ 52	P-22197	Trigger Valve Housing
◆ 53	P-64485	O-Ring
◆ 54	P-24513	Screw
◆ 55	P-09220	Pusher
◆ 56	P-12502	Magazine
◆ 57	P-18492	Pusher Spring
◆ 58	P-24684	Screw
◆ 59	P-12503	Magazine Cover
◆ 60	P-24515	Screw
◆ 61	P-12575	Magazine Retainer
◆ 62	P-15238	Rear Magazine Bumper
◆ 67	P-22221	Automatic Adjust Switch
◆ 68	P-07496	Pin
◆ 69	P-21100	Double Trigger
◆ 70	P-18579	Double Trigger Spring

- ◆ Parts Included In **AS-97392** O-Ring And Seal Kit