

HEAVY DUTY PNEUMATIC BOTTOMER MODEL: BOT-3222C-PPHD

MANUAL

WARNING

BEFORE OPERATING THIS STAPLER, ALL OPERATORS SHOULD STUDY THIS MANUAL. TO UNDERSTAND AND FOLLOW THE SAFETY WARNINGS AND INSTRUCTIONS. KEEP THESE INSTRUCTIONS WITH THE STAPLER FOR FUTURE REFERENCE. IF YOU HAVE ANY QUESTION, CONTACT WITH YOUR DISTRIBUTOR.



TOOL SPECIFICATIONS

- .MODEL OF TOOL
- .DIMENSIONS (LENGTH X HEIGHT X WIDTH) MM X MM X MM
- .WEIGHT (WITHOUT FASTENERS) KG
- .AIR INLET 1/4" NPT
- .COMPRESSED AIR:
 - .MAXIMUM PERMISSIBLE OPERATING PRESSURE 8 KG/CM²
 - .RECOMMENDED OPERATING PRESSURE 5 KG/CM² ~ 6KG/CM²
- .STAPLES SPECIFICATION..... CROWN
LENGTH 15MM, 18MM, 22MM
- .STAPLES CAPACITY 300 PCS

THE NOISE LEVELS: (AT THE WORKPLACE ALWAYS WEAR HEARING PROTECTION EQUIPMENT.)

A – WEIGHTED SINGLE – EVENT SOUND PRESSURE LEVEL AT OPERATOR’S POSITION :

L pA, Is = 89 Dba

A – WEIGHTED SINGLE – EVENT SOUND POWER LEVEL :

L WA, Is = 93 Dba

A – WEIGHTED SINGLE – EVENT SURFACE SOUND PRESSURE LEVEL:

L Pa, Is, Im = 80 Dba

SAFETY INSTRUCTIONS

DANGER

1. READ THIS MANUAL AND UNDERSTAND ALL SAFETY INSTRUCTIONS BEFORE OPERATING THE TOOL IF YOU HAVE ANY QUESTIONS, PLEASE CONTACT WITH OUR AUTHORIZED REPRESENTATIVES.

2. NEVER USE ANY TYPE OF FLAMMABLE GASE OR OXYGEN AS A POWER SOURCE FOR THE TOOL USE FILTERED, LUBRICATED, REGULATED COMPRESSED AIR ONLY.
3. NEVER USE GASOLINE OR OTHER FLAMMABLE LIQUIDS TO CLEAN THE TOOL. VAPOR IN THE TOOL WILL BE IGNITED BY A SPARK AND CAUSE THE TOOL TO BE EXPLODED.
4. DO NOT EXCEED MAXIMUM PERMISSIBLE OPERATING PRESSURE OF THE TOOL (8 KG/CM²)
5. DISCONNECT THE TOOL FROM AIR SUPPLY BEFORE CLEANING JAMS, SERVICING, ADJUSTING, AND DURING NON – OPERATION.

WARNING

6. AT THE WORKPLACE, ALWAYS WEAR THE PROTECTIVE EQUIPMENT SUCH AS SAFETY GLASSES, HEARING PROTECTION AND HEAD PROTECTION.
7. DO NOT USE A CHECK VALVE OR ANY OTHER FITTING WHICH ALLOWS AIR TO REMAIN IN THE TOOL.
8. DO NOT PLACE YOUR HAND OR ANY PART OF YOUR BODY IN THE STAPLE CLINCHING AREA, BETWEEN COVER A (016) AND MOLD (046)

LUBRICATION AND MAINTENANCE

- DISCONNECT THE AIR SUPPLY FROM THE TOOL BEFORE LUBRICATING, OR SERVICING THE TOOL.

NOTE

- YOUR TOOL REQUIRES LUBRICATION BEFORE YOU USE IT FOR THE FIRST TIME.

ASSEMBLY AIR BOTTOMER

1. FIND A SUITABLE PLACE.
2. OPEN THE PACKING AND STAND THE MACHINE UP.
3. USE 6 MM HEX. WRENCH AND 13 MM SPANNER TO ASSEMBLE THE BALANCER (044).

NOTE : LET THE BALANCER (044) BE GOOD BALANCE ON THE LAND.

4. USE 17MM SPANNER TO ASSEMBLE THE "DOUBLE SCREW TUBE" (522) WITH CYLINDER SET (520).
5. USE 19MM SPANNER TO ASSEMBLE THE "PU PLUG" (529) WITH CYLINDER SET (520).
6. CONNECT THE AIR SOURCE, THEN YOU CAN USE THE BOTTOMER.

NOTE : CONTROL THE AIR PRESSURE BETWEEN 5 KG/CM² AND 6 KG/CM²

ADJUSTMENT THE SPEED

1. QUICK EXHAUST (523) CONTROL THE DRIVER'S SPEED.
2. FIX THE QUICK EXHAUST (523) WHEN THE OPERATING SPEED YOU LIKE.

OPERATING THE AIR BOTTOMER

1. PULL PUSHER (027) BACKWARDS UNTIL IT STOPS ON PUSHER PIVOTS (031). THEN ROTATE PUSHER (027) INTO POSITION.
2. INSERT 6 STICKS OF APPROPRIATE STAPLES INTO THE MAGAZINE (026) FROM BACK. LET THE STAPLES SLIDE FORWARD TO THE FRONT OF THE MAGAZINE (026).

3. PULL PUSHER (027) BACK TO UPRIGHT POSITION AND GENTLY LET THE PUSHER (027) SLIDE FORWARD AGAINST THE STAPLES. DO NOT LET THE PUSHER (027) SLIDE FORWARD TO ENGAGE STAPLES AT HIGH SPEED OR IT MAY DEFORM THE STAPLES OR DAMAGE THE MACHINE.

NOTE : KEEP SPRING (029) CLEARLY AND DON'T BEND THE SPRING (009).

4. PUT THE CARTON INTO POSITION.

NOTE : STRAIGHT THE CENTER LINE OF CARTON TO THE COVER (015) CENTER LINE.

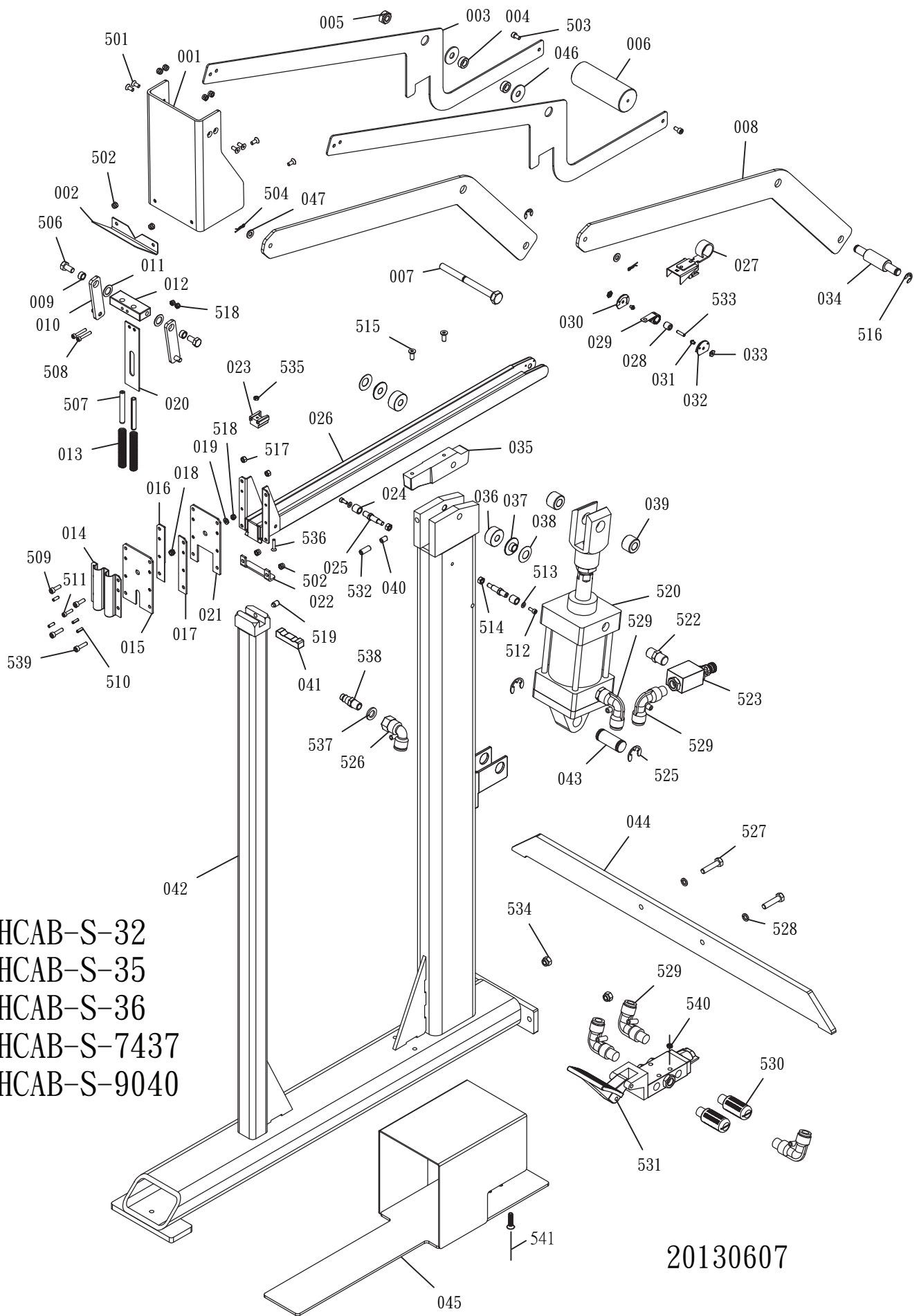
5. PRESS THE SWITCH (531) DOWN BY FOOT UNTIL, IT STOPS. THEN RELEASE THE SWITCH (531).

NOTE : IF THERE IS NOT A CARTON IN POSITION, DO NOT PRESS THE SWITCH (531) DOWN.

CLEARING A JAM

1. PULL THE PUSHER (027) BACKWARDS AND ROTATE INTO POSITION. THEN REMOVE THE REST OF THE STAPLES.
2. CLEAR THE JAM FROM THE GAP OF COVER (015).

NOTE : DISCONTACT THE AIR SOURCE, WHEN CLEARING A JAM.



HCAB-S-32
 HCAB-S-35
 HCAB-S-36
 HCAB-S-7437
 HCAB-S-9040

20130607

ITEM	PART NO.	DESCRIPTION	QTY	SPEC.
001	A07403401	COVER	1	
002	A05700401	FRONT PLAT	1	
003	A07402601	BRACKET	2	
004	A07402701	TUBE	2	
005	A07304901	NUT	1	
006	A07402901	BALANCER	1	
007	A07402301	SHAFT A	1	
008	A07300101	LINK 1	2	
009	A07402201	SPACER	2	
010	A07400901A	LINK 2 UNIT	2	
011	A00603402	TUBE	2	
012	A07401001	DRIVER SEAT	1	
013	A07401101	SPRING	2	
014	A07401201A	BRACKET SET	1	
015	A07401401	FRONT PLAT	1	
016	A07401601	GUIDE/BLADE L.	1	
017	A07401501	GUIDE/BLADE R.	1	
018	A07403301	SHAFT	1	
019	A07402501	WASHER	1	
020	A07401901	DRIVER	1	
021	A07401701	PLATE/REAR	1	
022	A07401801	BRACKET	1	
023	A07400701	BRACKET	1	
024	A05701001	TUBE	2	
025	A05700601	STOPPER	2	
026	HCAB-S-32-P2	MAGAZINE UNIT	1	
027	A00103710A	PUSHER SET	1	
028	A00103501	ROLLER	1	
029	A07403001	SPRING	1	
030	A00103903A	RIGHT PUSHER GUIDE	1	
031	A00103203	ROD	2	
032	A00103904A	LEFT PUSHER GUIDE	1	
033	A00607101	NUT	2	
034	A07402801	SHAFT B	1	
035	A07400801	BRACKET	1	
036	A07402401	TUBE	2	
037	A07305001	SPACER 3	2	
038	A07305101	DISHING WASHER	2	

ITEM	PART NO.	DESCRIPTION	QTY	SPEC.
039	A07403201	TUBE	2	
040	A07305901	SHAFT STOPPER	1	
041	A07402102	MOLD	1	
042	HCAB-S-PI	BODY SET	1	HCAB
043	A00700601	SHAFT M	1	
044	A07303901	BALANCER	1	
045	A00700302A	SWITCH COVER UNIT	1	
046	A07403601	WASHER	2	
047	A07306101	WASHER	2	φ8xφ14 T=1
501	BAC0205122	HEX.SOC.FLAT COUNTER SUNK HD. SCREW	6	M5x0.8-12
502	BAD01051	LOCK NUT	8	M5
503	BAC0605102	HEX.SOC.HD.BOLT	2	M5x0.8-10
504	BAJ0106	SNAP PIN	2	φ6
506	BAC0808161	HEX.HD.BLOT	2	M8x1.25-16
507	BAA080060	SPRING PIN	2	φ8*60
508	BAC0404252	HEX.SOC.HD.BOLT	2	M4x0.7-25
509	BAC0405162	HEX.SOC.HD.BOLT	2	M5x0.8-16
510	BAA040012	SPRING PIN	4	φ4*12
511	BAC0404162	HEX.SOC.HD.BOLT	1	M4x0.7-16
512	BAC0404082	HEX.SOC.HD.BOLT	2	M4x0.7-8
513	BAE04041	WASHER	2	φ4
514	BAD04061	NUT	2	M6
515	BAC0206162	HEX.SOC.FLAT COUNTER SUNK HD. SCREW	2	M6x1-16
516	BAF11002	E-RING	2	φ10
518	BAD01041	LOCK NUT	3	M4
519	BAC0308122	HEX.SOC.HEADLESS SCREW	1	M8x1.25-12
520	BAI0107A	CYLINDER SET	1	φ80,S50
522	BAI1002	DOUBLE SCREW TUBE	1	3/8"X3/8"
523	BAI1102A	QUICK EXHAUST	1	3/8"
525	BAF11502	E-RING	2	φ15
526	BAI1203	PU PLUG	1	1/4"-19PTxφ12
526	BAI1206	PU PLUG	1	1/4"-18NPTφ12
527	BAC0408352	HEX.HD.BLOT	2	M8x1.25-35
528	BAE01081	SPRING WASHER	2	φ8
529	BAI0703	PU PLUG	3	3/8" x φ 12-90°
530	BAI0503	DEFLECTOR	2	3/8"

ITEM	PART NO.	DESCRIPTION	QTY	SPEC.
531	BAI0302	SWITCH	1	
532	BAC0308202	HEX.SOC.HEADLESS SCREW	1	M8x1.25-20
533	BAA040016	SPRING PIN	1	φ4*16
534	BAD01081	LOCK NUT	3	M8
535	BAD01041	LOCK NUT	1	M4x0.7
536	BAC0204202	HEX.SOC.FLAT COUNTER SUNK HD. SCREW	1	M4x0.7-20
537	BAE01122	SPRING WASHER	1	φ12
538	A00100802	AIR PLUG	1	
539	BAC0405202	HEX.SOC.HD.BOLT	2	M5x0.8-20
540	BAD03012	NUT	3	3/16" UNC
541	BAC050012	FLAT HEAD SCREW	3	3/16" UNC