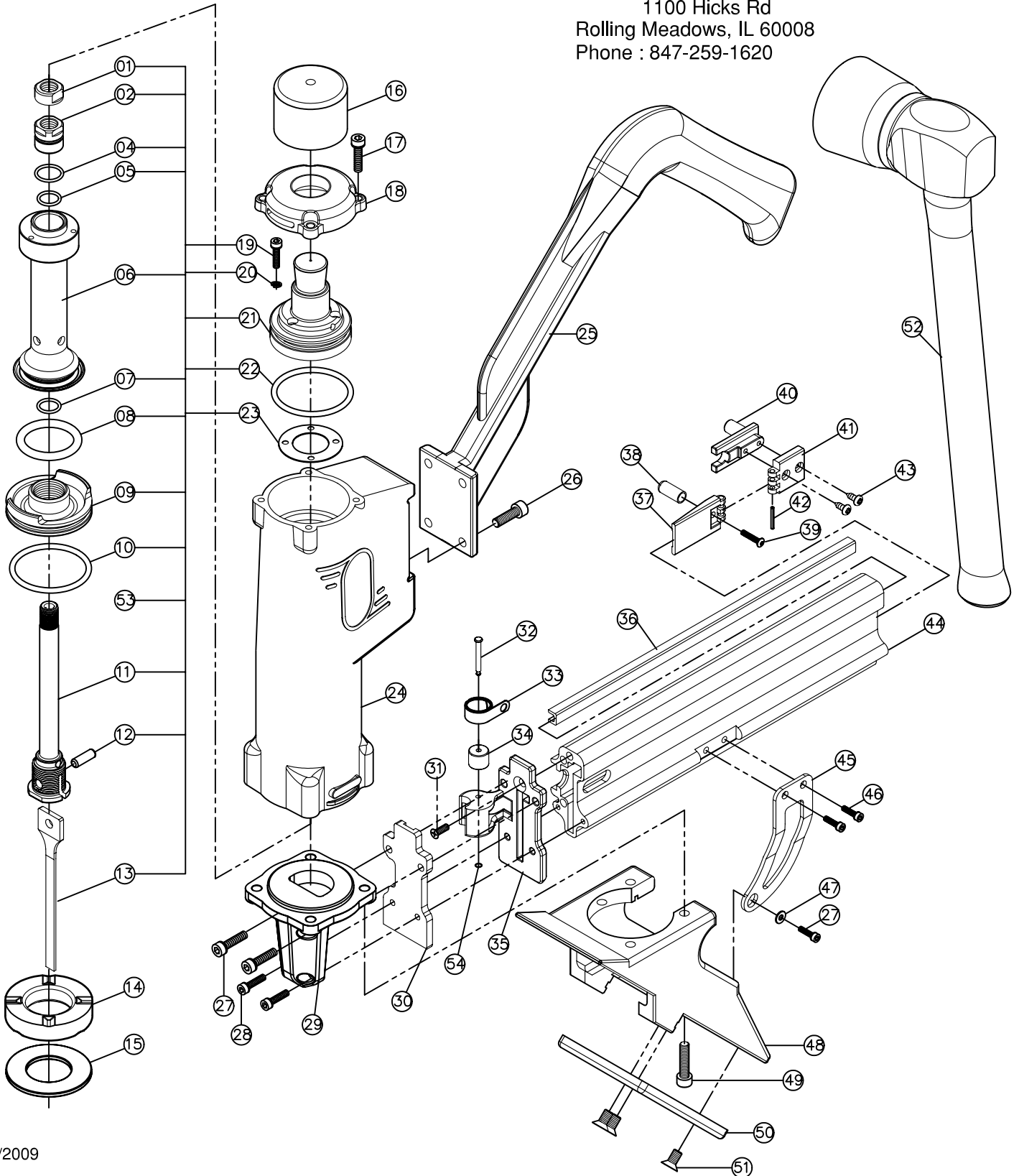


# MODEL FCL2650

**SPOTNAILS®**  
DIVISION OF PEACE INDUSTRIES, LTD.  
1100 Hicks Rd  
Rolling Meadows, IL 60008  
Phone : 847-259-1620



## SPOTNAILS MODEL FCL2650

Ref. No.	Part No.	Description
◆ 1	P-26173	Plunger Nut
2	P-22189	Plunger
◆ 4	P-64459	O-Ring
◆ 5	P-64033	O-Ring
6	P-63045	Poppet
◆ 7	P-64460	O-Ring
◆ 8	P-64461	O-Ring
9	P-66117	Driver Piston
◆ 10	P-64305	O-Ring
11	P-66109	Piston Stem
12	P-07376	Pin, Dowel
13	P-06259	Driver Blade
◆ 14	P-15227	Bumper
15	P-03089	Spacer
16	P-15228	Hammer Face
17	P-24300	Cap Screw
18	P-60189	Cap
19	P-24311	Screw
20	P-32234	Washer
21	P-63046	Poppet Actuator
◆ 22	P-64462	O-Ring
◆ 23	P-62081	Gasket
24	P-01280	Body
25	P-48033	Handle, Long
26	P-24453	Screw
27	P-24307	Screw
28	P-24387	Screw

Ref. No.	Part No.	Description
29	P-08496	Nose
30	P-10313	Front Plate
31	P-24476	Screw
32	P-07357	Pin
33	P-18478	Negator Spring
34	P-20036	Negator Spring Drum
35	P-08497	Wear Plate
36	P-27190	Wear Insert
37	P-09215	Pusher Foot
38	P-97478	Pusher Foot Handle
39	P-24498	Screw
40	P-09216	Pusher
41	P-09217	Pusher Foot Holder
42	P-07297	Pin
43	P-24499	Screw
44	P-12487	Magazine
45	P-13101	Bracket
46	P-24353	Screw
47	P-32170	Washer
48	P-97472	Shoe
49	P-24320	Screw
50A	P-03092	Spacer (1/4") For 3/4" Flooring
50B	P-03090	Spacer (5/16") For 5/8" Flooring
51	P-24475	Screw
52	P-97473	Mallet
53	AS-95012	Piston - Driver - Poppet Assy.
54	P-64240	O-Ring

◆ Parts Included in AS-97316 O-Ring and Seal Kit