

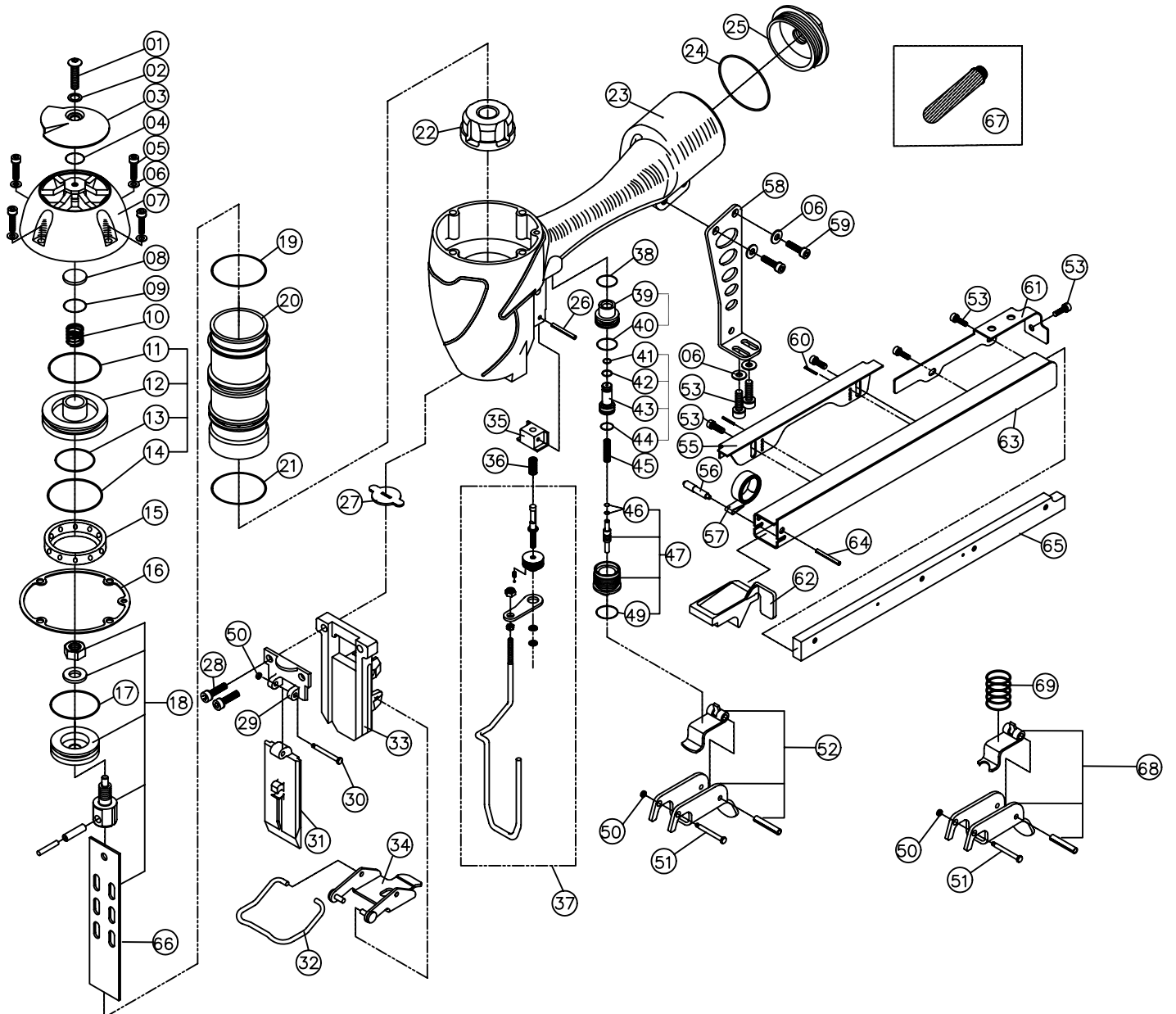
# MODEL XC1016

THIS TOOL EQUIPPED WITH  
A RESTRICTIVE TRIGGER

# SPOTNAILS<sup>®</sup>

DIVISION OF PEACE INDUSTRIES, LTD.

1100 Hicks Rd  
Rolling Meadows, IL 60008  
Phone : 847-259-1620



## SPOTNAILS MODEL XC1016

Ref No.	Part No.	Description		Ref No.	Part No.	Description	
1	P-24370	Screw		35	P-53165	Safety Guide	
2	P-96118	Bushing		36	P-18328	Spring	
3	P-70041	Exhaust Deflector		37	AS-53049	Safety Assembly	
4	P-64377	O-Ring	•	38	P-64332	Valve Housing O-Ring	
5	P-24300	Cap Screw		39	P-22144	Trigger Valve Cap	
6	P-32211	Flat Washer	•	40	P-64333	O-Ring	
7	P-60172	Cap	•	41	P-64334	O-Ring	
8	P-15187	Exhaust Seal	•	42	P-64335	O-Ring	
•	9	P-64378	O-Ring	43	P-22145	Pilot Valve	
	10	P-18327	Poppet Spring	•	44	P-64336	O-Ring
•	11	P-64028	Poppet O-Ring		45	P-18227	Spring
	12	P-63037	Poppet	•	46	P-64383	Plunger O-Rings
•	13	P-64379	Piston Stop O-Ring		47	AS-22037	Plunger Assembly
•	14	P-64380	Cylinder Seal O-Ring	•	49	P-64328	O-Ring
•	15	P-03079	Guide Spacer	•	50	P-64240	O-Ring
•	16	P-62070	Gasket		51	P-07327	Trigger Pin
•	17	P-64228	Piston O-Ring		52	AS-21008	Trigger Assembly
	18	AS-06039	Piston & Driver Assembly		53	P-24433	Screw
•	19	P-64330	Cylinder O-Ring		55	P-12406	Magazine Cover (A)
	20	P-05096	Cylinder		56	P-07331	Negator Spring Pin
•	21	P-64419	O-Ring		57	P-18334	Negator Spring
	22	P-15197	Bumper		58	P-13070	Bracket
	23	P-01263	Body		59	P-24301	Screw
	24	P-64312	O-Ring		60	P-07333	Pin
	25	P-60156	End Cap		61	P-12407	Magazine Cover (B)
	26	P-07262	Pin		62	P-09185	Pusher
•	27	P-15198	Return Seal		63	P-12409	Magazine
	28	P-24358	Screw		64	P-07332	Pin
	29	P-10285	Stationary Front Plate		65	P-12411	Cover Mounting Bar
	30	P-07357	Step Pin		66	P-06221	Driver Blade
	31	P-10286	Removable Front Plate		67	P-97454	Filter (Optional)
	32	P-18333	Latch Spring		68	AS-21026	Restrictive Trigger
	33	P-08467	Wear Plate		69	P-18267	Spring
	34	P-04062	Quick Clear Latch				

- Parts Included in AS-97282 O-Ring and Seal Kit