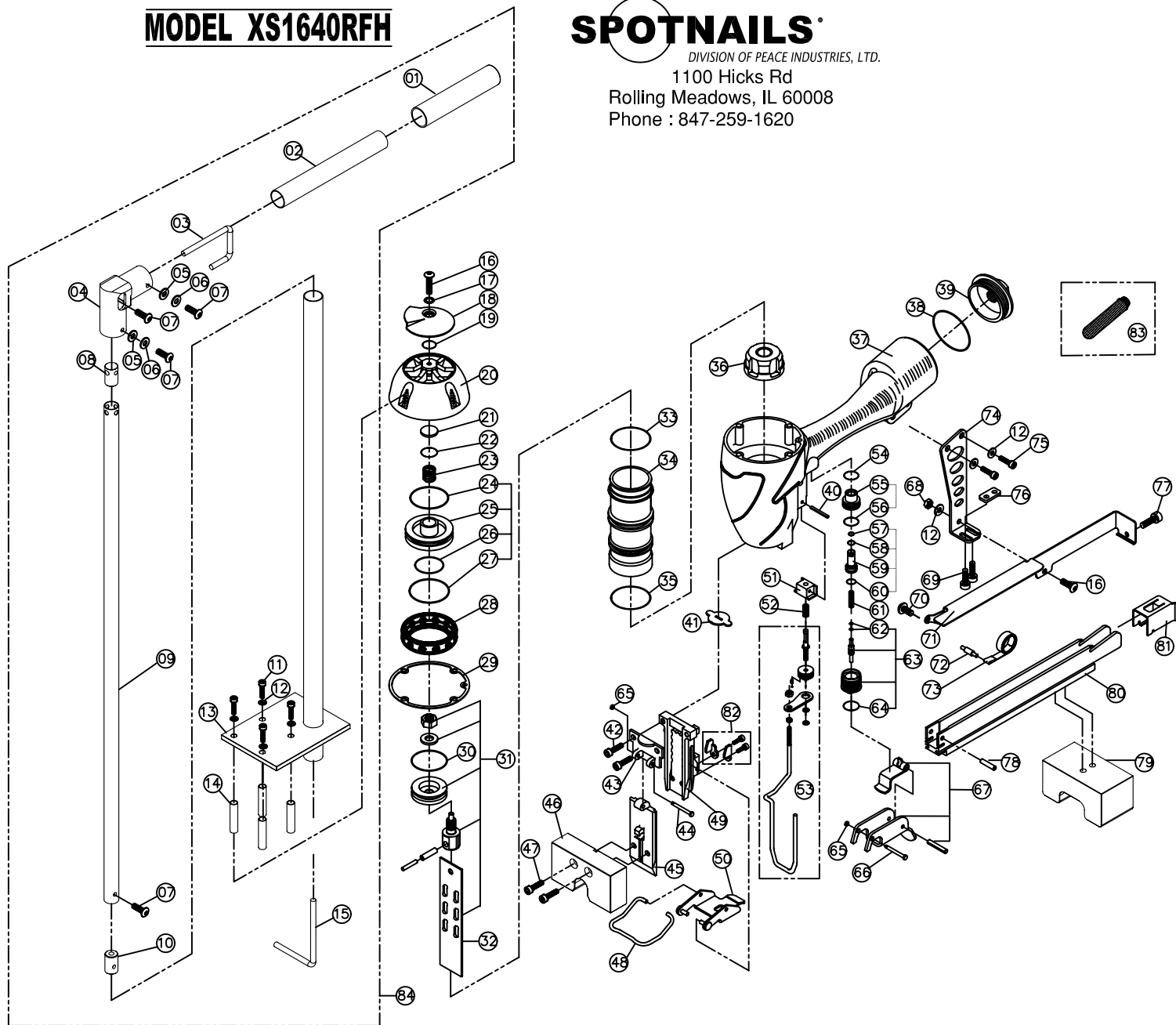


MODEL XS1640RFH

SPOTNAILS®

DIVISION OF PEACE INDUSTRIES, LTD.

1100 Hicks Rd
Rolling Meadows, IL 60008
Phone : 847-259-1620



SPOTNAILS MODEL XS1640RFH

Ref No.	Part No.	Description
01	P-99286	Handle Grip
02	P-99287	Handle
03	P-99288	Upper Trigger Link
04	P-99289	90° Elbow
05	P-32239	Washer
06	P-32240	Washer
07	P-24495	Screw
08	P-96137	Upper Bushing
09	P-99290	Trigger Connecting Rod
10	P-96138	Lower Bushing
11	P-24496	Cap Screw
12	P-32211	Flat Washer
13	P-99291	Mounting Plate Assembly
14	P-96139	Cap Spacers
15	P-99292	Lower Trigger Link
16	P-24370	Screw
17	P-96118	Bushing
18	P-70041	Exhaust Deflector
19	P-64377	O-Ring
20	P-60172	Cap
21	P-15187	Exhaust Seal
22	P-64378	O-Ring
23	P-18327	Poppet Spring
24	P-64028	Poppet O-Ring
25	P-63037	Poppet
26	P-64379	Piston Stop O-Ring
27	P-64380	Cylinder Seal O-Ring
28	P-03079	Guide Spacer

Ref No.	Part No.	Description
29	P-62070	Gasket
30	P-64228	Piston O-Ring
31	AS-06079	Piston & Driver Assembly
32	P-06258	Driver Blade
33	P-64330	Cylinder O-Ring
34	P-05096	Cylinder
35	P-64419	O-Ring
36	P-15197	Bumper
37	P-01263	Body
38	P-64312	O-Ring
39	P-60156	End Cap
40	P-07262	Pin
41	P-15198	Return Seal
42	P-24358	Screw
43	P-10285	Stationary Front Plate
44	P-07357	Pin
45	P-10312	Removable Front Plate
46	P-99293	Front Block
47	P-24497	Screw
48	P-18333	Latch Spring
49	P-08466	Wear Plate
50	P-04062	Quick Clear Latch
51	P-53165	Safety Guide
52	P-18328	Spring
53	AS-53045	Safety Assembly
54	P-64332	Valve Housing O-Ring
55	P-22144	Trigger Valve Cap
56	P-64333	O-Ring

Ref No.	Part No.	Description
57	P-64334	O-Ring
58	P-64335	O-Ring
59	P-22145	Pilot Valve
60	P-64336	O-Ring
61	P-18227	Spring
62	P-64383	Plunger O-Rings
63	AS-22037	Plunger Assembly
64	P-64328	O-Ring
65	P-64240	O-Ring
66	P-07327	Trigger Pin
67	AS-21008	Trigger Assembly
68	P-26126	Nut
69	P-24300	Screw
70	P-24432	Screw
71	P-12417	Magazine Cover
72	P-07335	Negator Spring Pin
73	P-18334	Negator Spring
74	P-13070	Bracket
75	P-24301	Screw
76	P-26159	Nut Plate
77	P-24433	Screw
78	P-07334	Pin
79	P-99294	Rear Block
80	P-12410	Magazine
81	P-09211	Pusher
82	AS-99088	Wear Plate Filler
83	P-97454	Filter (Optional)
84	AS-99090	Complete Assembly

Parts Included In AS-97282 O-Ring And Seal Kit