

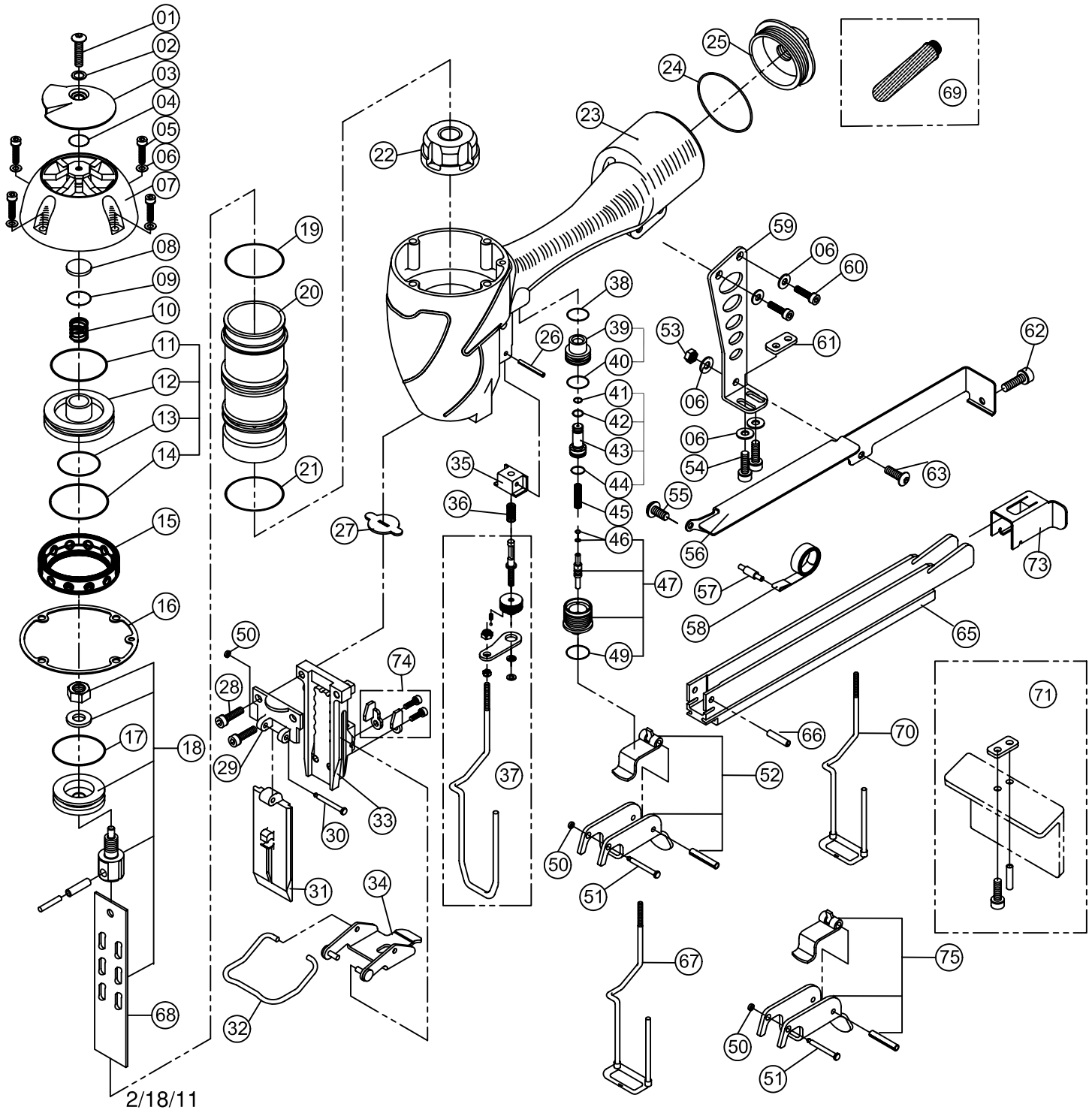
MODEL XS1640

SPOTNAILS[®]

DIVISION OF PEACE INDUSTRIES, LTD.

1100 Hicks Rd
Rolling Meadows, IL 60008

Phone : 847-259-1620



SPOTNAILS MODEL XS1640

Ref No.	Part No.	Description
01	P-24370	Screw
02	P-96118	Bushing
03	P-70041	Exhaust Deflector
04	P-64377	O-Ring
05	P-24300	Cap Screw
06	P-32211	Flat Washer
07	P-60172	Cap
08	P-15187	Exhaust Seal
09	P-64378	O-Ring
10	P-18327	Poppet Spring
11	P-64028	Poppet O-Ring
12	P-63037	Poppet
13	P-64379	Piston Stop O-Ring
14	P-64380	Cylinder Seal O-Ring
15	P-03079	Guide Spacer
16	P-62070	Gasket
17	P-64228	Piston O-Ring
18	AS-06039	Piston & Driver Assembly
19	P-64330	Cylinder O-Ring
20	P-05096	Cylinder
21	P-64419	O-Ring
22	P-15197	Bumper
23	P-01263	Body
24	P-64312	O-Ring
25	P-60156	End Cap
26	P-07262	Pin
27	P-15198	Return Seal
28	P-24358	Screw
29	P-10285	Stationary Front Plate
30	P-07357	Step Pin
31	P-10287	Removable Front Plate
32	P-18333	Latch Spring
33	P-08466	Wear Plate
34	P-04062	Quick Clear Latch
35	P-53165	Safety Guide
36	P-18328	Spring

Ref No.	Part No.	Description
37	AS-53045	Safety Assembly
38	P-64332	Valve Housing O-Ring
39	P-22144	Trigger Valve Cap
40	P-64333	O-Ring
41	P-64334	O-Ring
42	P-64335	O-Ring
43	P-22145	Pilot Valve
44	P-64336	O-Ring
45	P-18227	Spring
46	P-64383	Plunger O-Rings
47	AS-22037	Plunger Assembly
49	P-64328	O-Ring
50	P-64240	O-Ring
51	P-07327	Trigger Pin
52	AS-21008	Trigger Assembly
53	P-26126	Nut
54	P-24430	Screw
55	P-24432	Screw
56	P-12417	Magazine Cover
57	P-07335	Negator Spring Pin
58	P-18334	Negator Spring
59	P-13070	Bracket
60	P-24301	Screw
61	P-26159	Nut Plate
62	P-24433	Screw
63	P-24434	Screw
65	P-12410	Magazine
66	P-07334	Pin
67	P-53167	Lathing Safety (Optional)
68	P-06221	Driver Blade
69	P-97454	Filter (Optional)
70	P-53175	Roofing safety (Optional)
71	AS-97296	Shingle Guide Assy. (Optional)
73	P-09211	Pusher
74	AS-99088	Wear Plate Filler
75	AS-21026	Restrictive Trigger Assy. (Optional)

◆ Parts Included In AS-97282 O-Ring And Seal Kit