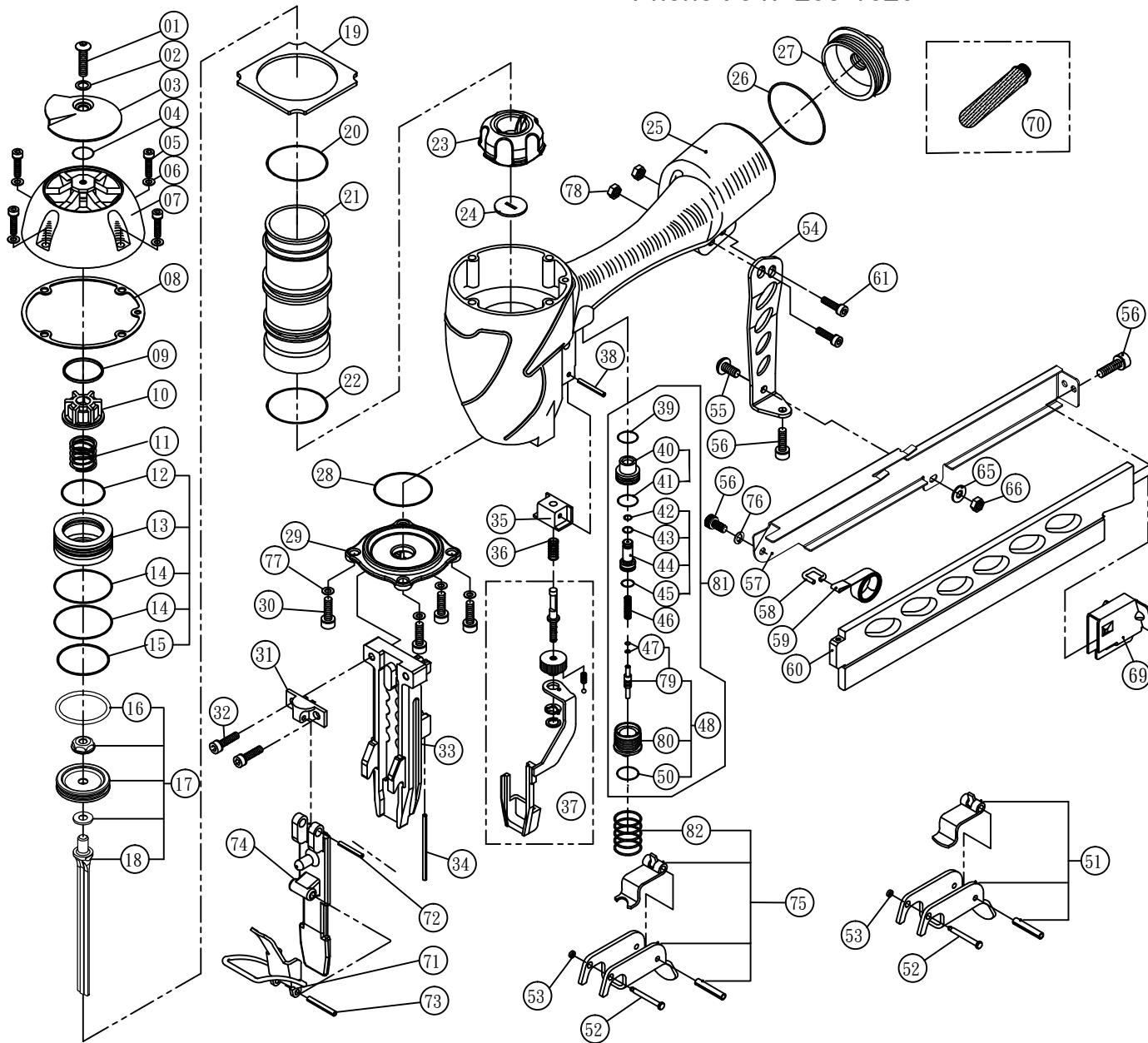


MODEL MS7564-B

SPOTNAILS[®]

DIVISION OF PEACE INDUSTRIES, LTD.

1100 Hicks Rd
Rolling Meadows, IL 60008
Phone : 847-259-1620



SPOTNAILS MODEL MS7564-B

Ref No.	Part No.	Description	Ref No.	Part No.	Description		
01	P-24370	Screw	39	P-64332	Valve Housing O-Ring		
02	P-96118	Bushing	♦	40	P-22144	Trigger Valve Cap	
03	P-70047	Exhaust Deflector	41	P-64333	O-Ring		
04	P-64377	O-Ring	♦	42	P-64334	O-Ring	
05	P-24314	Cap Screw	♦	43	P-64335	O-Ring	
06	P-32169	Flat Washer	♦	44	P-22145	Pilot Valve	
07	P-60181	Cap	45	P-64336	O-Ring		
♦	08	P-62080	Gasket	♦	46	P-18227	Spring
09	P-03076	Spacer	47	P-64383	Plunger O-Rings		
10	P-15204	Exhaust Seal	♦	48	AS-22037	Plunger Assembly	
11	P-18442	Poppet Spring	50	P-64328	O-Ring		
♦	12	P-64399	Poppet O-Ring	♦	51	AS-21008	Bump Fire Trigger (Black)
13	P-63043	Poppet	52	P-07327	Trigger Pin		
♦	14	P-64426	Poppet O-Ring	53	P-64240	O-Ring	
♦	15	P-64312	Cylinder Seal O-Ring	♦	54	P-13082	Bracket
♦	16	P-64427	Piston O-Ring	55	P-24370	Screw	
17	AS-06060	Piston & Driver Assembly	56	P-24353	Screw		
18	P-06241	Driver Blade	57	P-12594	Magazine Cover		
19	P-03082	Guide Spacer	58	P-18131	Spring Clip		
♦	20	P-64428	Cylinder O-Ring	59	P-18298	Negator Spring	
21	P-05108	Cylinder	60	P-12444	Magazine		
♦	22	P-64429	O-Ring	61	P-24383	Screw	
23	P-15215	Bumper	65	P-32170	Washer		
24	P-15218	Return Seal	66	P-26142	Nut		
25	P-01302	Body	69	P-09183	Pusher		
26	P-64312	O-Ring	70	P-97454	Filter (Available)		
27	P-60156	End Cap	71	AS-04038	Latch Assembly		
28	P-64430	O-Ring	72	P-07354	Pin		
29	P-60220	Bottom Plate	73	P-07355	Pin		
30	P-24611	Screw	74	P-10309	Removable Front Plate		
31	P-10308	Stationary Front Plate	75	AS-21026	Restrictive Trigger Assembly (Red)		
32	P-24358	Screw	76	P-32229	Washer		
33	P-08483	Wear Plate	77	P-32291	Washer		
34	P-07257	Safety Yoke Pin	78	P-26143	Nut		
35	P-53165	Safety Guide	79	AS-22041	Plunger Assembly		
36	P-18328	Spring	80	P-22233	Valve Housing		
37	AS-53062	Safety Assembly	81	AS-22043	Trigger Valve Assy.		
38	P-07262	Pin	82	P-18267	Spring		

♦ Parts Included In AS-97300 O-Ring And Seal Kit