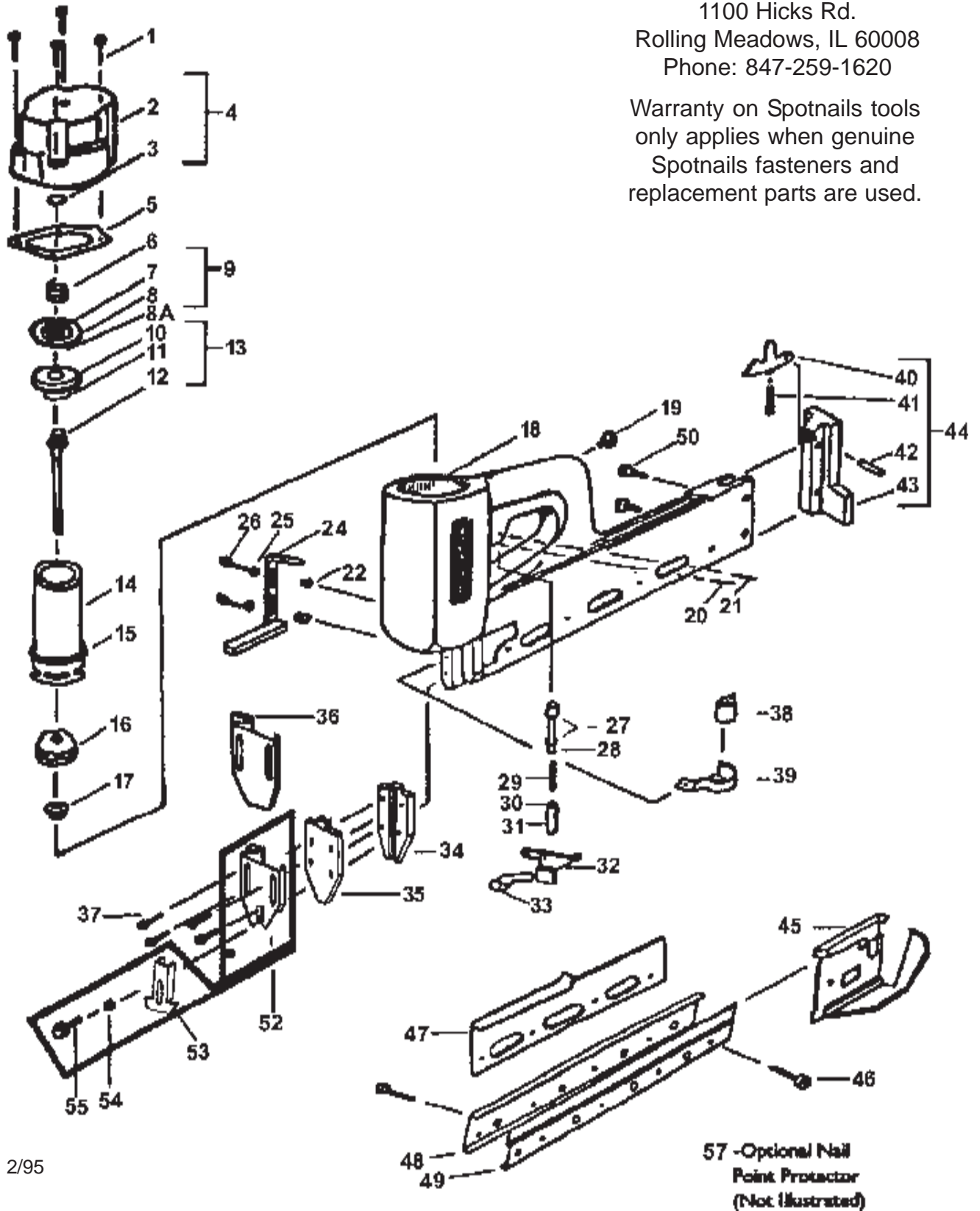


MODEL MNS5SPN

SPOTNAILS®
 DIVISION OF PEACE INDUSTRIES, LTD.

1100 Hicks Rd.
 Rolling Meadows, IL 60008
 Phone: 847-259-1620

Warranty on Spotnails tools
 only applies when genuine
 Spotnails fasteners and
 replacement parts are used.



SPOTNAILS MODEL MNS5N

Ref. No.	Part No.	Description
1	P-24057	Cap Screw
2	P-60091	Cap
3	P-15016	Exhaust Seal
4	AS-60028	Cap Assembly
5	P-62006	Cap Gasket
6	P-18115	Poppet Spring
7	P-64238	Poppet Stem O-Ring
8	P-64042	Poppet O-Ring
8A	AS-63012R	Poppet
9	AS-63009R	Poppet Assembly
10	P-64052P	Piston O-Ring
11	P-66059	Piston
12	P-06186	Driver Blade
13	AS-66106	Piston Assembly
14	P-05040	Cylinder
15	P-64057	Cylinder O-Ring
16	P-15068	Bumper
17	P-15073	Bumper Seal
18	AS-01129	Body
19	P-30000	Reducing Bushing
20	P-07009	Valve Body Mtg. Pin
21	P-07003	Trigger Mtg. pin
22	P-52013	Upper Safety Yoke Bushing
24	P-53111	Upper Safety Yoke
25	P-32021	Upper Safety Yoke Washer

Ref. No.	Part No.	Description
26	P-24053	Upper Safety Yoke Screw
27	P-64058	Valve Body O-Ring
28	P-22068	Valve Body
29	P-18050	Valve Spring
30	P-64040	Valve Plunger O-Ring
31	P-22059	Valve Plunger
32	P-21039	Trigger
33	P-21010	Secondary Trigger
34	P-08430	Wear Plate
35	P-10253	Front Plate
37	P-24013	Front Plate Screw
38	AS-18004	Pusher Spring
39	P-18127	Pusher Spring Bracket
40	P-04025	Pusher Latch
41	P-18128	Latch Spring
42	P-07172	Latch Pin
43	P-23047	Rear Guard
44	AS-23006	Rear Guard Assembly
45	P-09109	Pusher
46	P-24185	Center Bar Screw
47	P-27147	Wear Insert
48	P-27146	Center Bar Right
49	P-27145	Center Bar Left
50	P-24187	Rear Guard Screw
Not Shown	AS-97255	Plastic Shield

USE TO MAKE MODEL MNS5SPN

Ref. No.	Part No.	Description
52	AS-99070	Flush Drive Safety Yoke
53	P-99235	Flush Drive Attachment
54	P-99234	Washer

Ref. No.	Part No.	Description
55	P-24185	Button Head Screw
57	AS-97253	Nail Point Protection w/Screws
Not Shown	AS-97255	Plastic Shield

AS-63012R - The "R" designates revised poppet. Use P-64238 O-Ring with this poppet in place of P-64033.

This part will be used on all parts shipments.