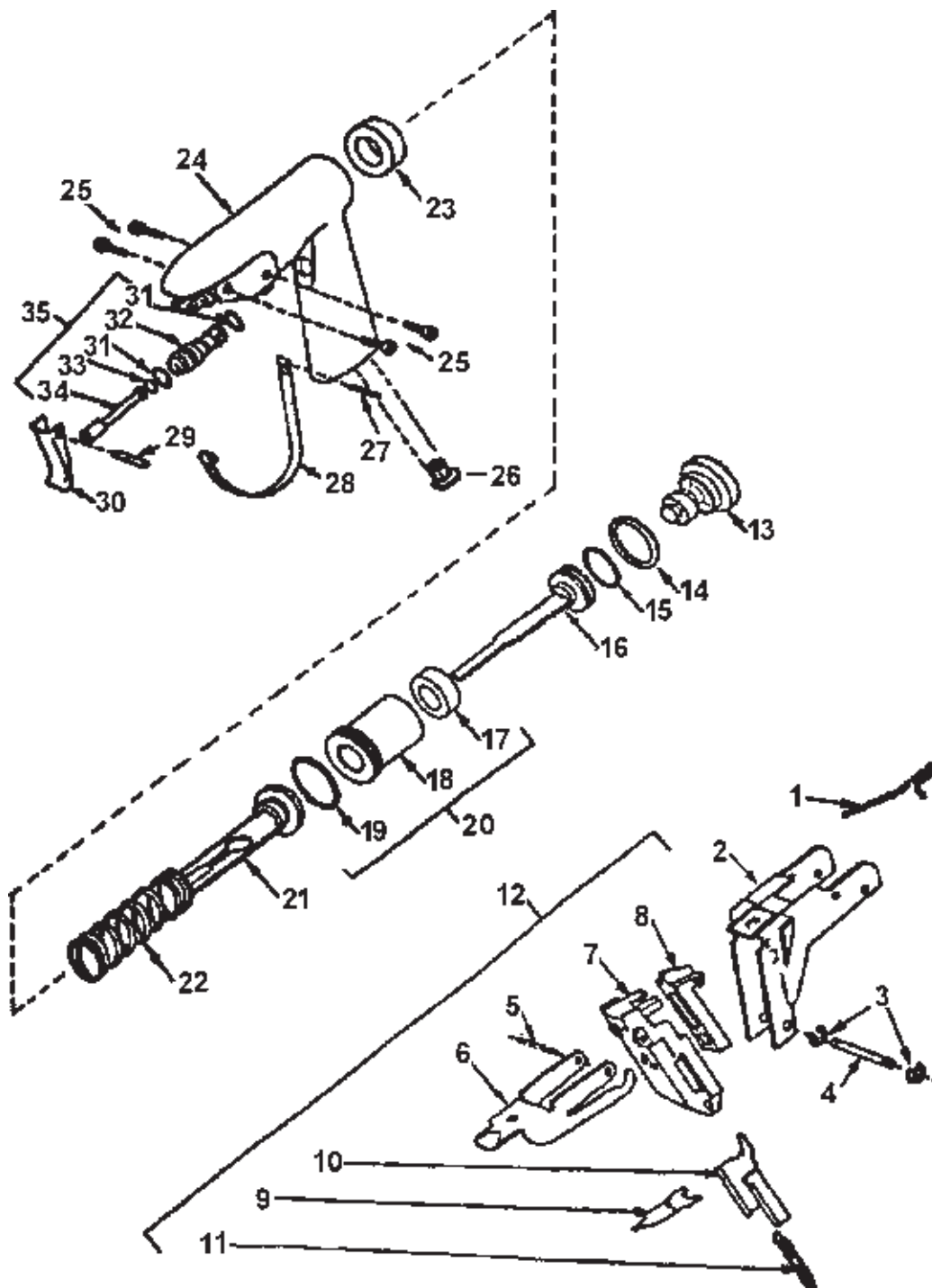


# MODEL LOM

**SPOTNAILS®**  
DIVISION OF PEACE INDUSTRIES, LTD.

1100 Hicks Rd.  
Rolling Meadows, IL 60008  
Phone: 847-259-1620



REVISED 8/22/96

MODEL LOM 36, 3/8" CROWN STAPLER

MODEL LOM 38, 1/2" CROWN STAPLER

Ref	Part #	Description	Ref	Part #	Description
1	P-18085	Guide Spring	19	P-64065	O-Ring
2	AS-10024	Sheath Case	20	AS-05000	Piston Sleeve Assy.
3	P-32038	Retaining Ring	21	AS-35003	Former
4	P-07075	Hinge Pin	22	P-18084	Return Spring
5	P-07079	Pin	23	P-15031	Bumper
6	P-04015	Cam Latch	24	AS-01031	Body
7	P-08249	Swing Case	25	P-24083	Screw
8	P-31019	Anvil	26	P-30005	Reducing Bushing
9	P-18083	Spring Retainer	27	P-07078	Strap Pin
10	P-18082	Retaining Spring	28	AS-12037	Strap Assy.
11	P-18081	Anvil Spring	29	P-07032	Trigger Pin
12	AS-08019	Swing Case Assy.	30	P-21011	Trigger
13	AS-60002	Cap Assy.	31	P-64032	O-Ring
14	P-62012	Gasket	32	P-22026	Valve Body
15	P-64064	O-Ring	33	P-64047	O-Ring
16	AS-06005	Driver Assy.	34	P-22025	Valve Shaft
17	P-15032	Bumper	35	AS-22000	Valve Assy.
18	P-05032	Piston Sleeve			

Ref	Part #	Description	Ref	Part #	Description
1	P-18085	Guide Spring	19	P-64065	O-Ring
2	AS-10024	Sheath Case	20	AS-05000	Piston Sleeve Assy.
3	P-32038	Retaining Ring	21	AS-35004	Former
4	P-07075	Hinge Pin	22	P-18084	Return Spring
5	P-07079	Pin	23	P-15031	Bumper
6	P-04015	Cam Latch	24	AS-01031	Body
7	P-08250	Swing Case	25	P-24083	Screw
8	P-31020	Anvil	26	P-30005	Reducing Bushing
9	P-18083	Spring Retainer	27	P-07078	Strap Pin
10	P-18082	Retaining Spring	28	AS-12037	Strap Assy.
11	P-18081	Anvil Spring	29	P-07032	Trigger Pin
12	AS-08020	Swing Case Assy.	30	P-21011	Trigger
13	AS-60002	Cap Assy.	31	P-64032	O-Ring
14	P-62012	Gasket	32	P-22026	Valve Body
15	P-64064	O-Ring	33	P-64047	O-Ring
16	AS-06006	Driver Assy.	34	P-22025	Valve Shaft
17	P-15032	Bumper	35	AS-22000	Valve Assy.
18	P-05032	Piston Sleeve			

MODEL LOM 56, 3/8" CROWN STAPLER

MODEL LOM 58, 1/2" CROWN STAPLER

Ref	Part #	Description	Ref	Part #	Description
1	P-18085	Guide Spring	19	P-64065	O-Ring
2	AS-10026	Sheath Case	20	AS-05000	Piston Sleeve Assy.
3	P-32038	Retaining Ring	21	AS-35007	Former
4	P-07075	Hinge Pin	22	P-18084	Return Spring
5	P-07079	Pin	23	P-15031	Bumper
6	P-04015	Cam Latch	24	AS-01031	Body
7	P-08253	Swing Case	25	P-24083	Screw
8	P-31019	Anvil	26	P-30005	Reducing Bushing
9	P-18083	Spring Retainer	27	P-07078	Strap Pin
10	P-18082	Retaining Spring	28	AS-12037	Strap Assy.
11	P-18081	Anvil Spring	29	P-07032	Trigger Pin
12	AS-08016	Swing Case Assy.	30	P-21011	Trigger
13	AS-60002	Cap Assy.	31	P-64032	O-Ring
14	P-62012	Gasket	32	P-22026	Valve Body
15	P-64064	O-Ring	33	P-64047	O-Ring
16	AS-06009	Driver Assy.	34	P-22025	Valve Shaft
17	P-15032	Bumper	35	AS-22000	Valve Assy.
18	P-05032	Piston Sleeve			

Ref	Part #	Description	Ref	Part #	Description
1	P-18085	Guide Spring	19	P-64065	O-Ring
2	AS-10026	Sheath Case	20	AS-05000	Piston Sleeve Assy.
3	P-32038	Retaining Ring	21	AS-35008	Former
4	P-07075	Hinge Pin	22	P-18084	Return Spring
5	P-07079	Pin	23	P-15031	Bumper
6	P-04015	Cam Latch	24	AS-01031	Body
7	P-08254	Swing Case	25	P-24083	Screw
8	P-31020	Anvil	26	P-30005	Reducing Bushing
9	P-18083	Spring Retainer	27	P-07078	Strap Pin
10	P-18082	Retaining Spring	28	AS-12037	Strap Assy.
11	P-18081	Anvil Spring	29	P-07032	Trigger Pin
12	AS-08017	Swing Case Assy.	30	P-21011	Trigger
13	AS-60002	Cap Assy.	31	P-64032	O-Ring
14	P-62012	Gasket	32	P-22026	Valve Body
15	P-64064	O-Ring	33	P-64047	O-Ring
16	AS-06010	Driver Assy.	34	P-22025	Valve Shaft
17	P-15032	Bumper	35	AS-22000	Valve Assy.
18	P-05032	Piston Sleeve			