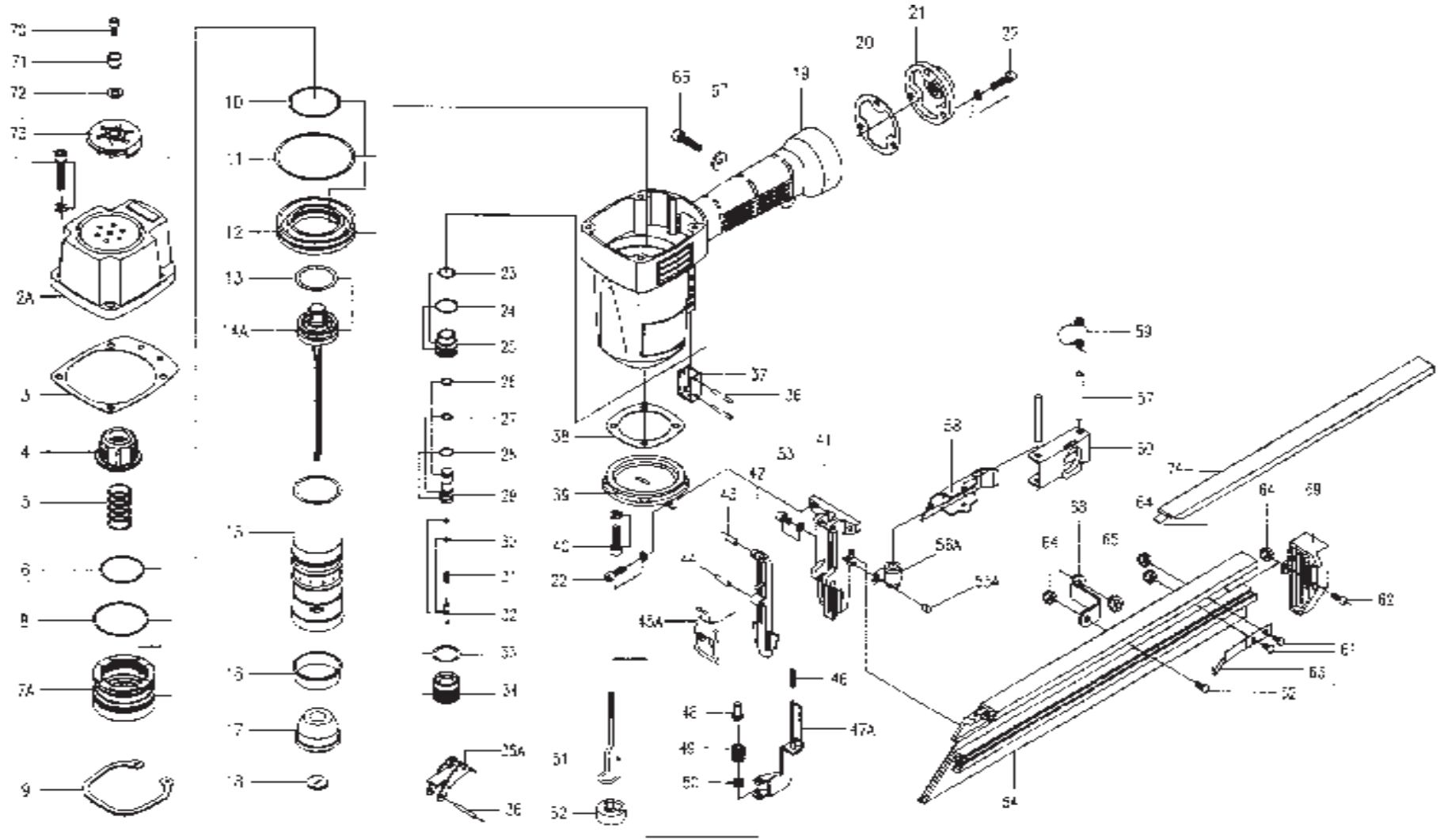


MODEL KBA1564

SPOTNAILS®
DIVISION OF PEACE INDUSTRIES, LTD.
1100 Hicks Rd
Rolling Meadows, IL 60008
Phone: 847-259-1620



MODEL KBA1564

Ref. No.	Part No.	Description
1	P-24359	Hex Soc. Head Bolt
2A	AS-60047	Cap Assembly
3	P-62057	Gasket
4	P-15144	Piston Stopper
5	P-18255	Spring
6	P-64269	O-Ring
7A	P-66093	Head Valve
8	P-64270	O-Ring
9	P-32160	Retaining Ring
10	P-64271	O-Ring
11	P-64272	O-Ring
12	P-05080	Cylinder Spacer
13	P-64273	O-Ring
14A	AS-66118	Driver Assembly
15	P-05081	Cylinder
16	P-64274	Cylinder Ring
17	P-15145	Bumper
18	P-15147	Driver Guide
19A	P-01250	Body
20	P-62058	Gasket
21	P-60145	End Cap
22	P-24360	Hex. Soc Head Bolt
23	P-64275	O-Ring
24	P-64276	O-Ring
25	P-22125	Valve
26	P-64277	O-Ring
27	P-64278	O-Ring
28	P-64279	O-Ring
29	P-22126	Valve Plunger
30	P-64280	O-Ring
31	P-18256	Spring
32	P-22127	Plunger
33	P-64281	O-Ring
34	P-60146	Plunger Cap
35A	AS-21007	Trigger Assembly
36	P-07262	Spring Pin
37	P-15136	Guide Safety Lever

Ref. No.	Part No.	Description
38	P-62059	Gasket
39	P-60148	Bottom Plate
40	P-24361	Hex Soc. Head Bolt
41	P-08446	Wear Plate
42	P-10272	Front Plate
43	P-07263	Spring Pin
44	P-07264	Spring Pin
45A	AS-04033	Latch Assembly
46	P-18257	Spring Safety
47A	AS-53037	Upper Safety Lever Assembly
48	P-53136	Safety Guide
49	P-26135	Adjusting Nut
50	P-18258	Adjusting Spring
51	P-53134	Lower Safety Lever
52	P-96071	Rubber Pad
53	P-24363	Hex. Soc. Head Bolt
54	P-12360	Magazine
55A	P-96076	Bushing Assembly
56A	AS-18006	Spring Assembly Neg.
57	P-07266	Roller Shaft
58	P-09162	Pusher
59	P-18261	Feed Pawl Spring
60	P-53135	Pusher Guide
61	P-24369	Button Head Cap Screw
62	P-24370	Button Head Cap Screw
63	P-96077	Stopper
64	P-26142	Locknut
65	P-26134	Locknut
66	P-24361	Hex. Soc. Head Bolt
67	P-32161	Flat Washer
68	P-13049	Bracket
69	P-60150	Magazine Cap
70	P-24381	Hex. Soc. Head Bolt
71	P-32165	Washer
72	P-64278	O-Ring
73	P-70035	Exhauster (Deflector)
74	P-12375	Wear Insert