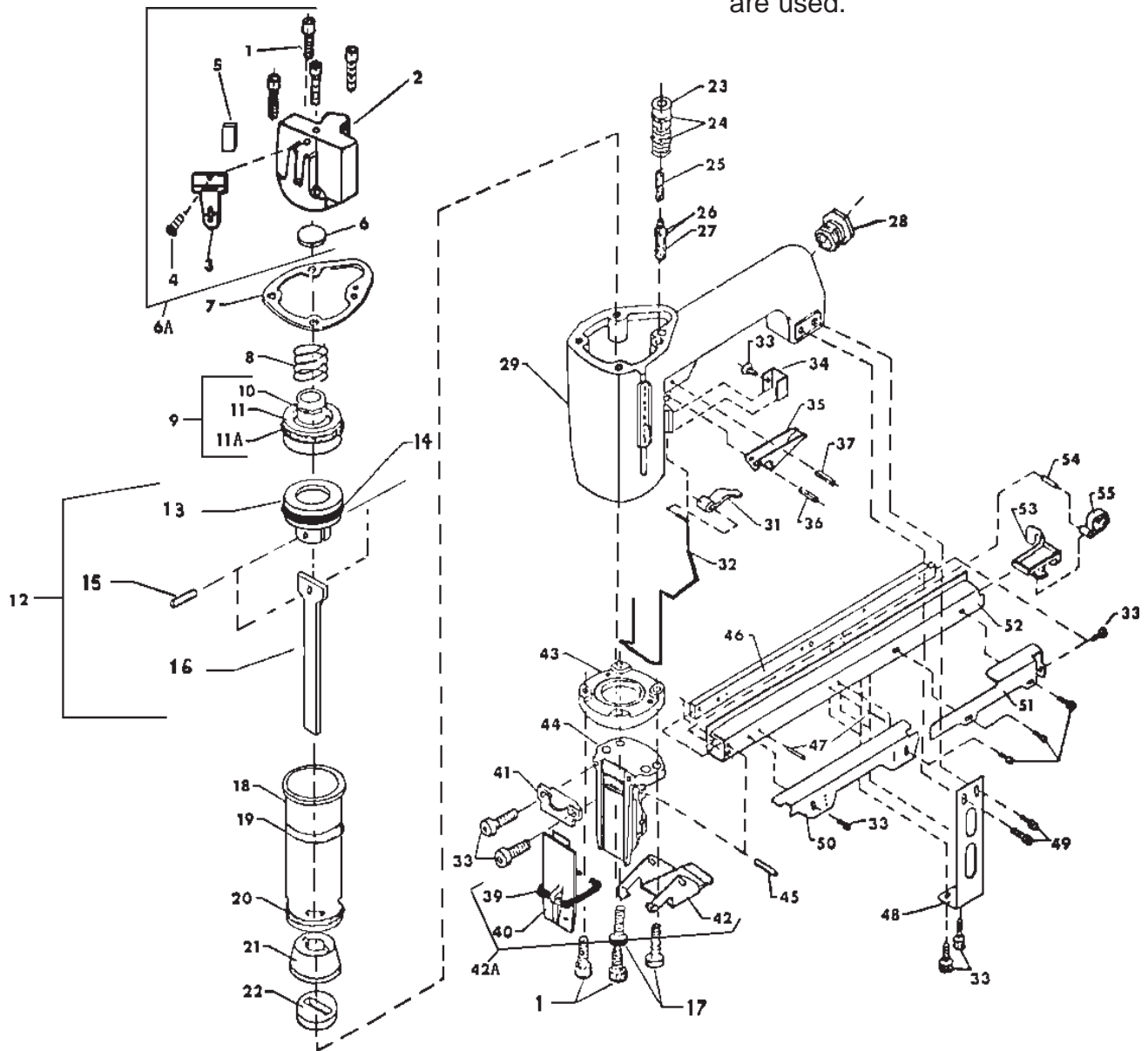


MODEL HL816A MODEL HL816AP



1100 Hicks Rd
Rolling Meadows, IL 60008
Phone: 847-259-1620

Warranty on Spotnails tools only applies when genuine Spotnails fasteners and replacement parts are used.



SPOTNAILS MODEL HL816A

Ref. No.	Part No.	Description
1	P-24072	Screws
2	P-60117	Cap
3	P-70010	Exhaust Deflector
4	P-24048	Exhaust Deflector Screws
5	P-70014	Exhaust Deflector Mesh
6	P-15016	Exhaust Seal
6A	AS-60032	Complete Cap Assembly
7	P-62019	Cap Gasket
8	P-18047	Poppet Spring
9	AS-63020	Poppet Assembly
10	P-64033	Poppet Stem O-Ring
11	P-64028	Poppet O-Ring
11A	AS-63016	Poppet
12	AS-66097-S	Piston/Driver Blade Assy
13	P-66076	Piston
14	P-64228	Piston O-Ring
15	P-07016	Driver Blade Pin
16	P-06169-S	Driver Blade
17	P-24047	Long Body Screws
18	P-05048	Cylinder
19	P-64069	Cylinder O-Ring Upper
20	P-64035	Cylinder O-Ring Lower
21	P-15129	Bumper
22	P-15070	Return Seal
23	P-22040	Bleeder Valve Body
24	P-64032	Bleeder Valve Body O-Ring
25	P-18050	Plunger Spring
26	P-64040	Valve Plunger O-Ring

Ref. No.	Part No.	Description
27	P-22085	Bleeder Valve Plunger
28	P-30000	Bushing
29	AS-01138	Body Assembly
31	P-21046	Secondary Trigger
32	P-53076	Safety Yoke
33	P-24037	Screws
34	P-52027	Safety Yoke Retaining Clip
35	P-21024	Primary Trigger
36	P-07078	Trigger Pin
37	P-07023	Bleeder Valve Pin
39	P-18136	Retainer Spring
40	P-10202	Removable Front Plate
41	P-10204	Stationary Front Plate
42	AS-04006	Latch Assembly
42A	AS-04010	Quick Clear Latch Assembly
43	P-60098	Bottom Plate
44	P-08376	Wear Plate
45	P-07141	Center Bar to Wear Plate Pin
46	P-12178	Track Cover Mounting Bar
47	P-07091	Track Cover Adjustment Pins
48	P-13017	Center Bar Bracket
49	P-24103	Bracket to Body Screws
50	P-12176	Track Cover Front
51	P-12177	Track Cover Rear
52	P-27153	Center Bar
53	P-09117	Pusher
54	P-18140	Negator Spring Pin
55	P-18138	Negator Spring
56	P-64244	Cylinder Seal O-Ring

TO MAKE SPOTNAILS MODEL HL816AP

Ref. No.	Part No.	Description
57	P-24047	Screws
58	AS-60035	Power Cap
59	P-70012	Exhaust Deflector

Ref. No.	Part No.	Description
60	P-24037	Screw
61	P-70013	Exhaust Deflector Mesh
62	AS-60036	Complete Power Cap Assy

FASTENERS HANDLED

416 TO 816 1/4" TO 1/2"