

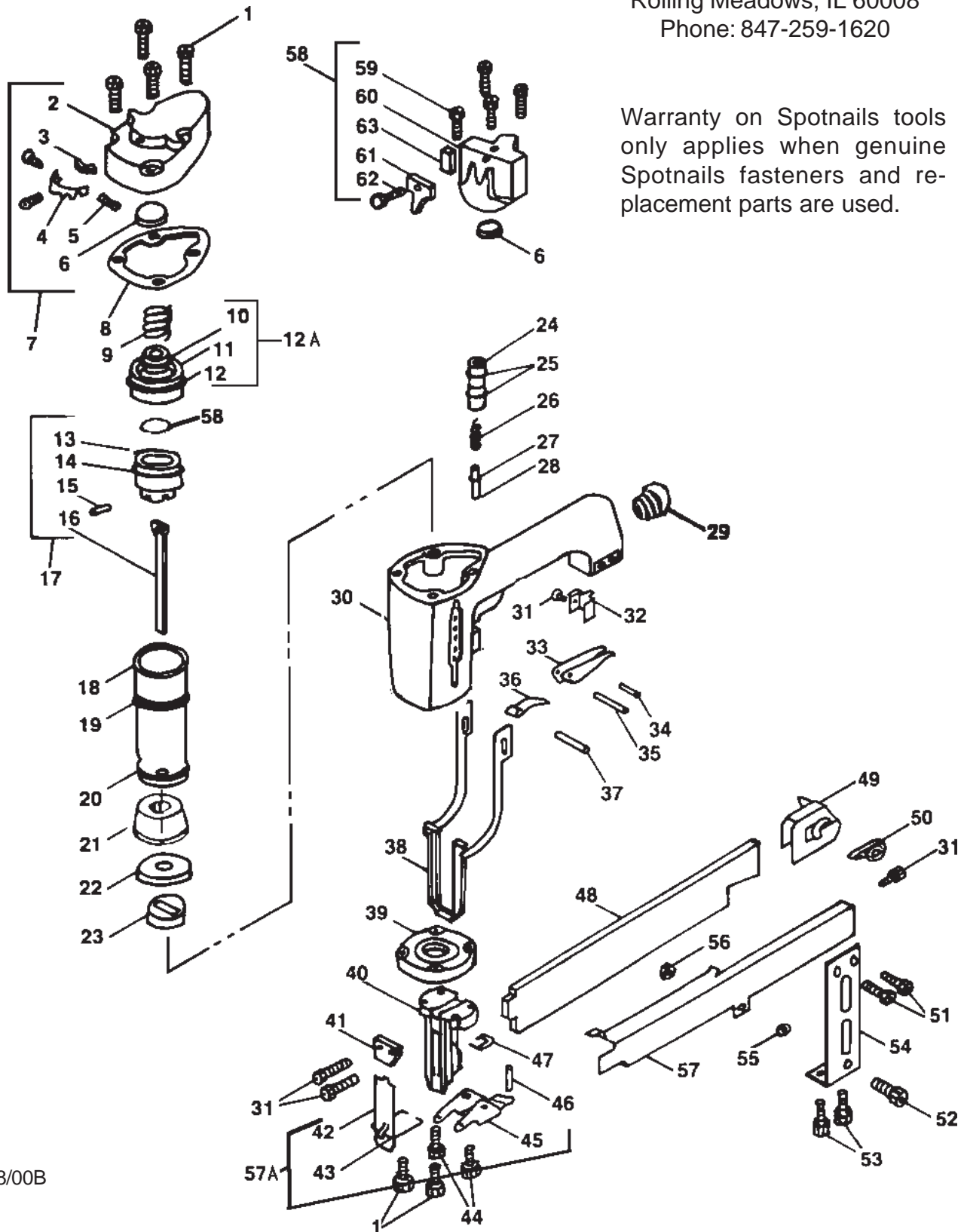
# MODEL HL7616A

# MODEL HL7616AP

**SPOTNAILS®**  
DIVISION OF PEACE INDUSTRIES, LTD.

1100 Hicks Rd.  
Rolling Meadows, IL 60008  
Phone: 847-259-1620

Warranty on Spotnails tools  
only applies when genuine  
Spotnails fasteners and re-  
placement parts are used.



## SPOTNAILS MODEL HL7616A

Ref. No.	Part No.	Description
1	P-24072	Screw
2	P-60117	Cap
3	P-70014	Exhaust Deflector Mesh
4	P-70010	Exhaust Deflector
5	P-24048	Screw
6	P-15016	Exhaust Seal
7	AS-60032	Complete Cap Assembly
8	P-62019	Cap Gasket
9	P-18047	Poppet Spring
10	P-64033	Poppet Stem O-Ring
11	AS-63016	Poppet
12	P-64028	Poppet O-Ring
12A	AS-63020	Poppet Assembly
13	P-66067	Piston
14	P-64228	Piston O-Ring
15	P-07016	Pin
16	P-06168-S	Driver Blade
17	AS-66094-S	Piston/Driver Assembly
18	P-05048	Cylinder
19	P-64069	O-Ring
20	P-64035	O-Ring
21	P-15129	Bumper
22	P-32091	Cylinder Spacer
23	P-15067	Return Seal
24	P-22040	Bleeder Valve Body
25	P-64032	O-Ring
26	P-18050	Plunger Spring
27	P-64040	O-Ring
28	P-22057	Bleeder Valve Plunger
29	P-30000	Bushing

Ref. No.	Part No.	Description
30	AS-01138	Body Assembly
31	P-24037	Screw
32	P-53080	Retainer Clip
33	P-21036	Primary Trigger
34	P-07023	Pin - Bleeder Valve
35	P-07078	Pin - Trigger
36	P-21046	Secondary Trigger
37	P-07145	Pin - Safety Yoke
38	AS-53014	Safety Yoke Assembly
39	P-60095	Bottom Plate
40	P-08370	Wear Plate
41	P-10195	Stationary Front Plate
42	P-10193	Removable Front Plate
43	P-18130	Retainer Spring
44	P-24047	Screw
45	AS-04014	Latch Assembly
46	P-07117	Pin
47	P-18131	Negator Spring Clip
48	AS-27026	Center Bar Assembly
49	P-09110	Pusher
50	P-18132	Negator Spring
51	P-24103	Screw
52	P-24036	Screw
53	P-24042	Screw
54	P-13018	Center Bar Bracket
55	P-32019	Washer
56	P-26041	Nut
57	P-12185	Track Cover
57A	AS-04021	Quick Clear Latch Assembly
58	P-64244	Cylinder Seal O-Ring

## USE TO MAKE MODEL HL7616AP

Ref. No.	Part No.	Description
58	AS-60036	Complete Power Cap Assy.
59	P-24047	Screw
60	AS-60035	Power Cap

Ref. No.	Part No.	Description
61	P-70012	Exhaust Deflector
62	P-24037	Screw
63	P-70013	Exhaust Deflector Mesh

### FASTENERS HANDLED

7605 TO 7616 5/8" TO 2"